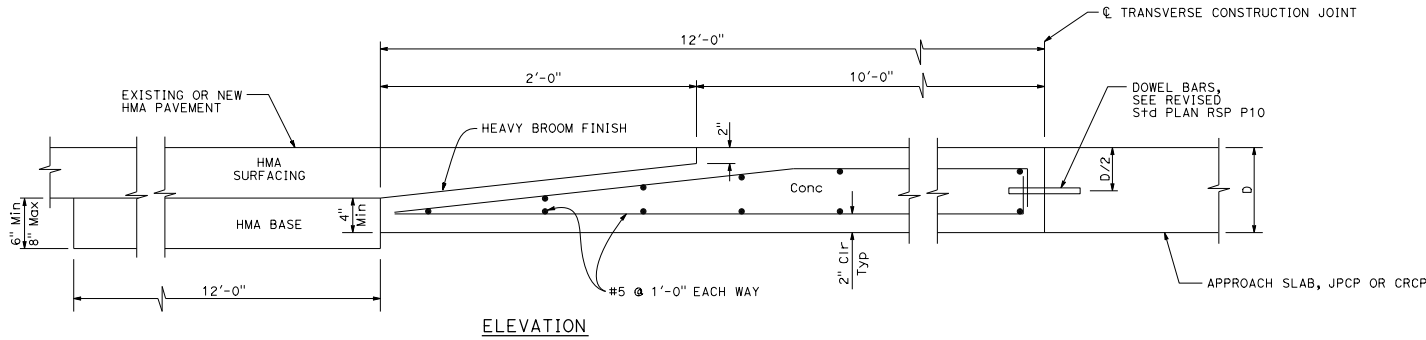
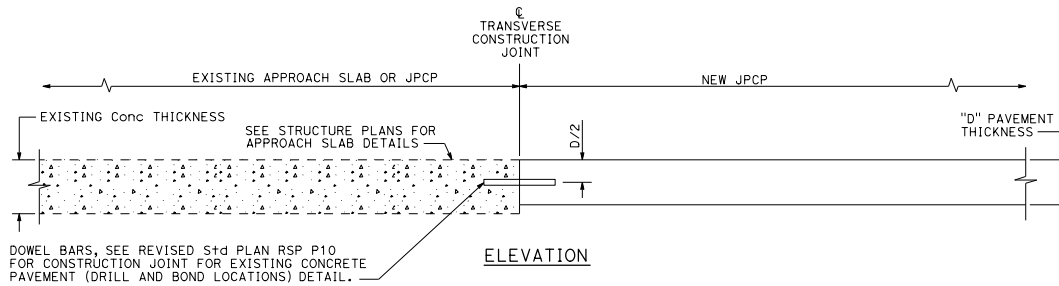


DIST	COUNTY	ROUTE	POST MILES TOTAL PROJECT	SHEET NO.	TOTAL SHEETS

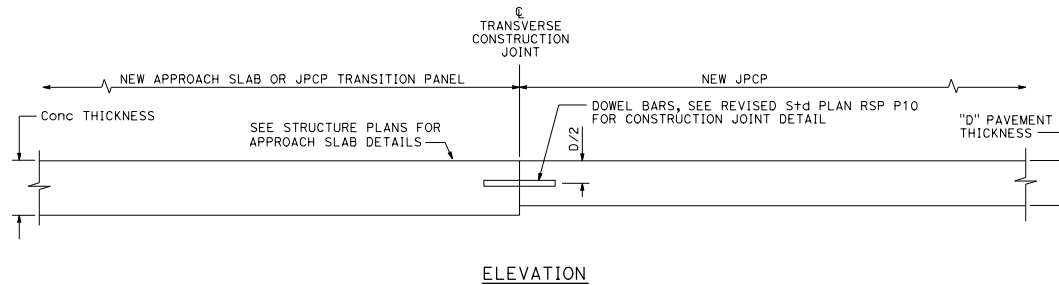
William K. Farnbach
 REGISTERED CIVIL ENGINEER
 July 19, 2013
 PLANS APPROVAL DATE
 THE STATE OF CALIFORNIA OR ITS OFFICERS OR AGENTS SHALL NOT BE RESPONSIBLE FOR THE ACCURACY OR COMPLETENESS OF SCANNED COPIES OF THIS PLAN SHEET.



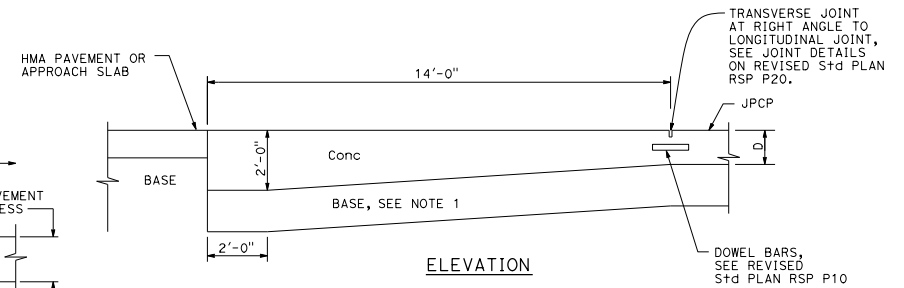
**CONCRETE PAVEMENT
TRANSITION PANEL**



TERMINAL JOINT TYPE 1
For Exist JPCP or Approach Slab



TERMINAL JOINT TYPE 2
For JPCP Transition Panel or Approach Slab



PAVEMENT END ANCHOR
For HMA Pmnt or Approach Slab

NOTE:

1. Maintain same base thickness as JPCP.

STATE OF CALIFORNIA
DEPARTMENT OF TRANSPORTATION
**CONCRETE PAVEMENT-
END PANEL
PAVEMENT TRANSITIONS**

NO SCALE

RSP P30 DATED JULY 19, 2013 SUPERSEDES RSP P30 DATED APRIL 20, 2012 AND
STANDARD PLAN P30 DATED MAY 20, 2011 - PAGE 137 OF THE STANDARD PLANS BOOK DATED 2010.

REVISED STANDARD PLAN RSP P30