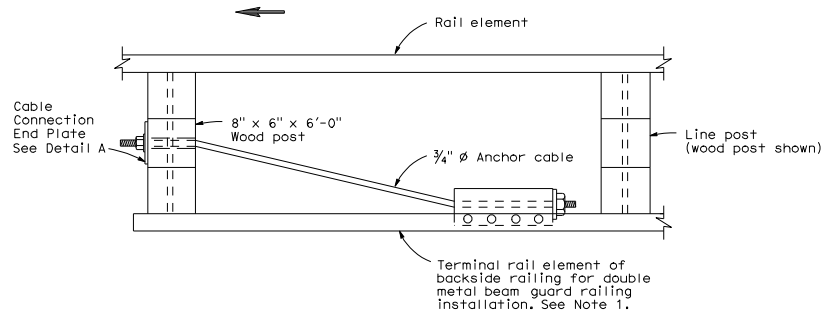
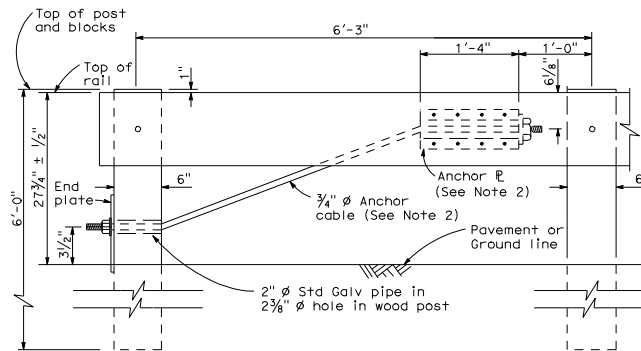


DETAIL A
CABLE CONNECTION
END PLATE



PLAN



ELEVATION
RAIL TENSIONING
ASSEMBLY
See Note 1

NOTES:

1. See Standard Plan A77F3 and Standard Plan A77G1 for typical use of rail tensioning assembly.
2. For details of the anchor plate and 3/4" cable, see Standard Plan A77H3.
3. Direction of traffic indicated by → .

DIST	COUNTY	ROUTE	POST MILES TOTAL PROJECT	SHEET NO.	TOTAL SHEETS
<p><i>Randell D. Hiatt</i> REGISTERED CIVIL ENGINEER</p> <p>May 1, 2006 PLANS APPROVAL DATE</p> <p>The State of California or its officers or agents shall not be responsible for the accuracy or completeness of electronic copies of this plan sheet.</p> <p>To get to the Caltrans web site, go to http://www.dot.ca.gov</p>					

STATE OF CALIFORNIA
DEPARTMENT OF TRANSPORTATION
METAL RAILING
RAIL TENSIONING ASSEMBLY

NO SCALE

A77H2