
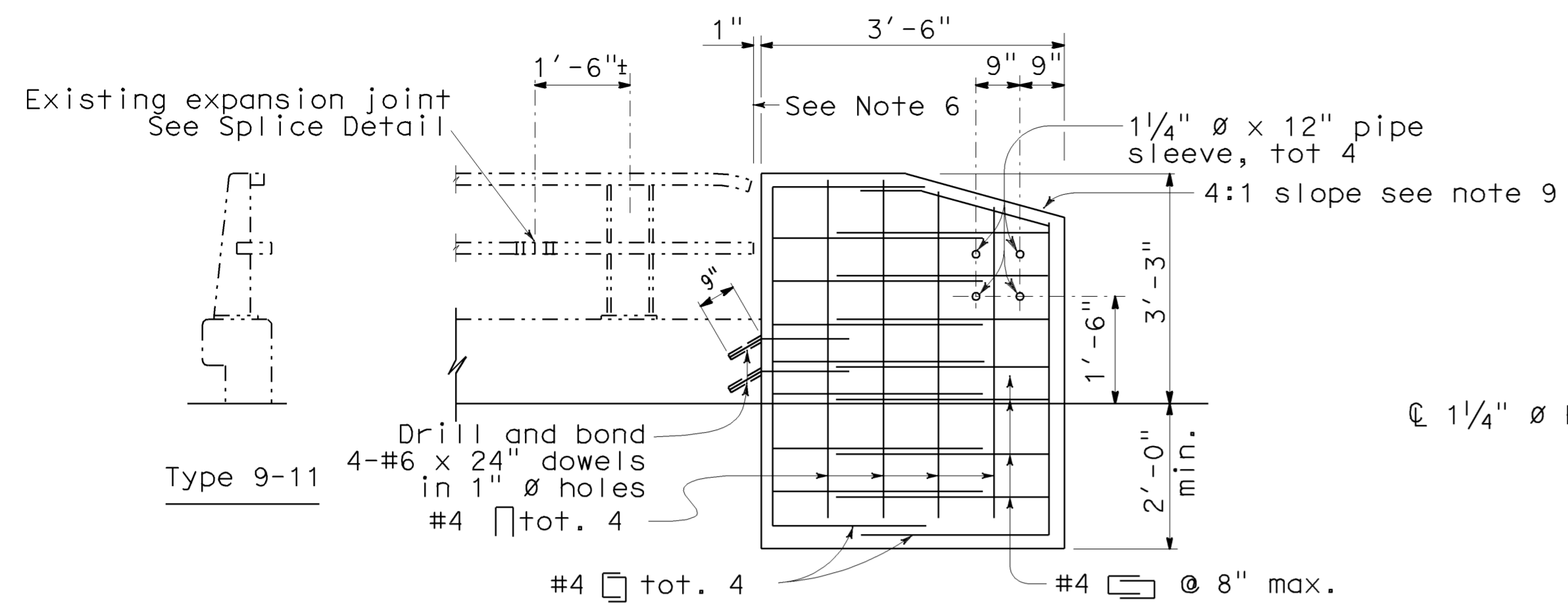


DIST.	COUNTY	ROUTE	POST MILES TOTAL PROJECT	SHEET NO.	TOTAL SHEETS

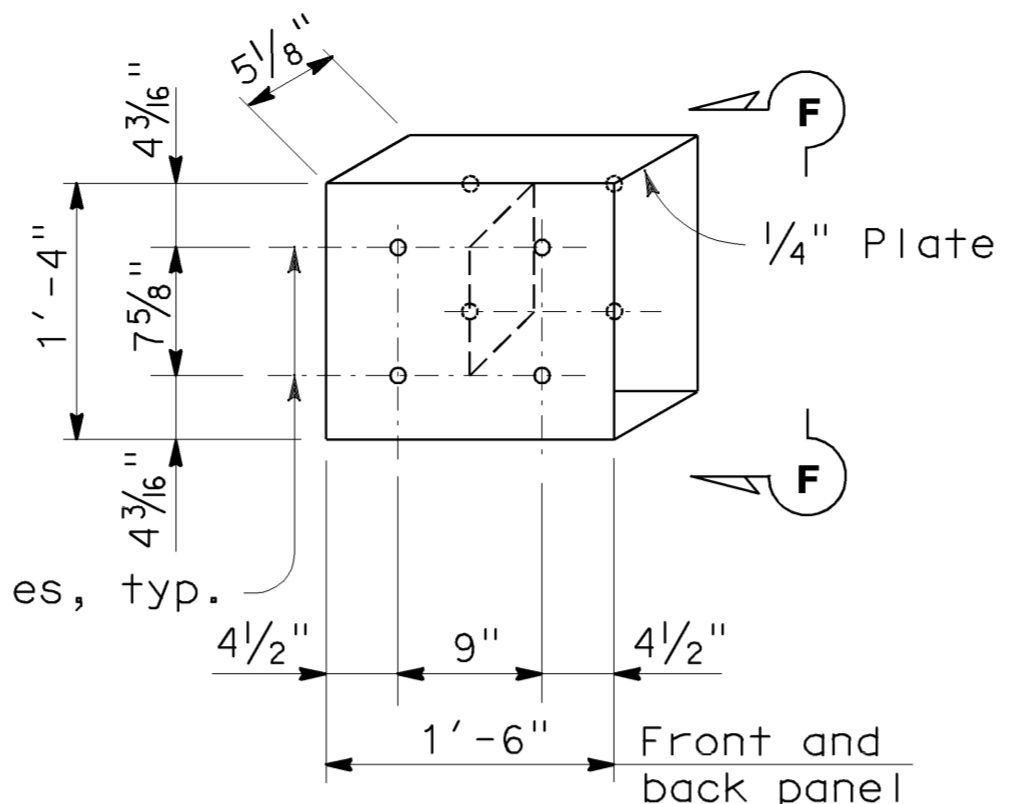
REGISTERED ENGINEER - CIVIL

PLANS APPROVAL DATE

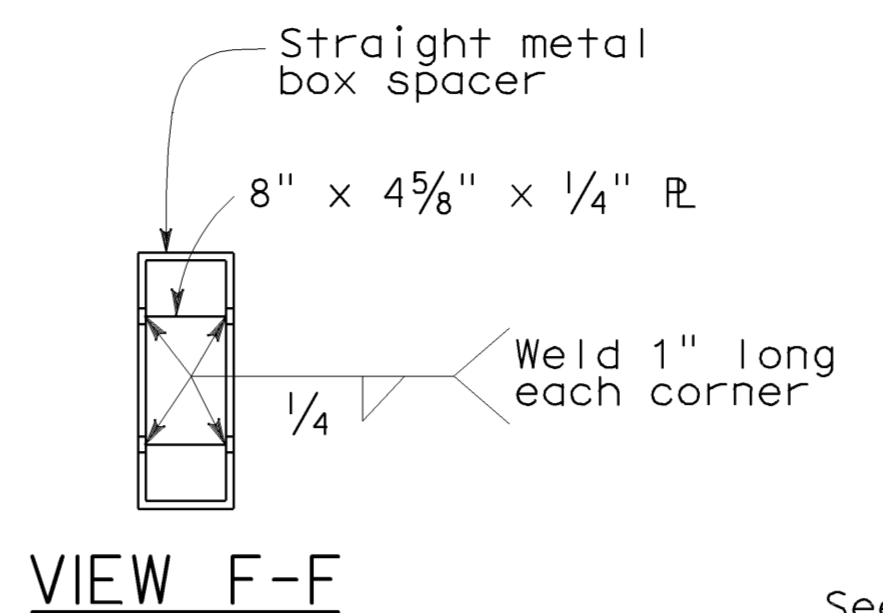
The State of California or its officers or agents shall not be responsible for the accuracy or completeness of electronic copies of this plan sheet.

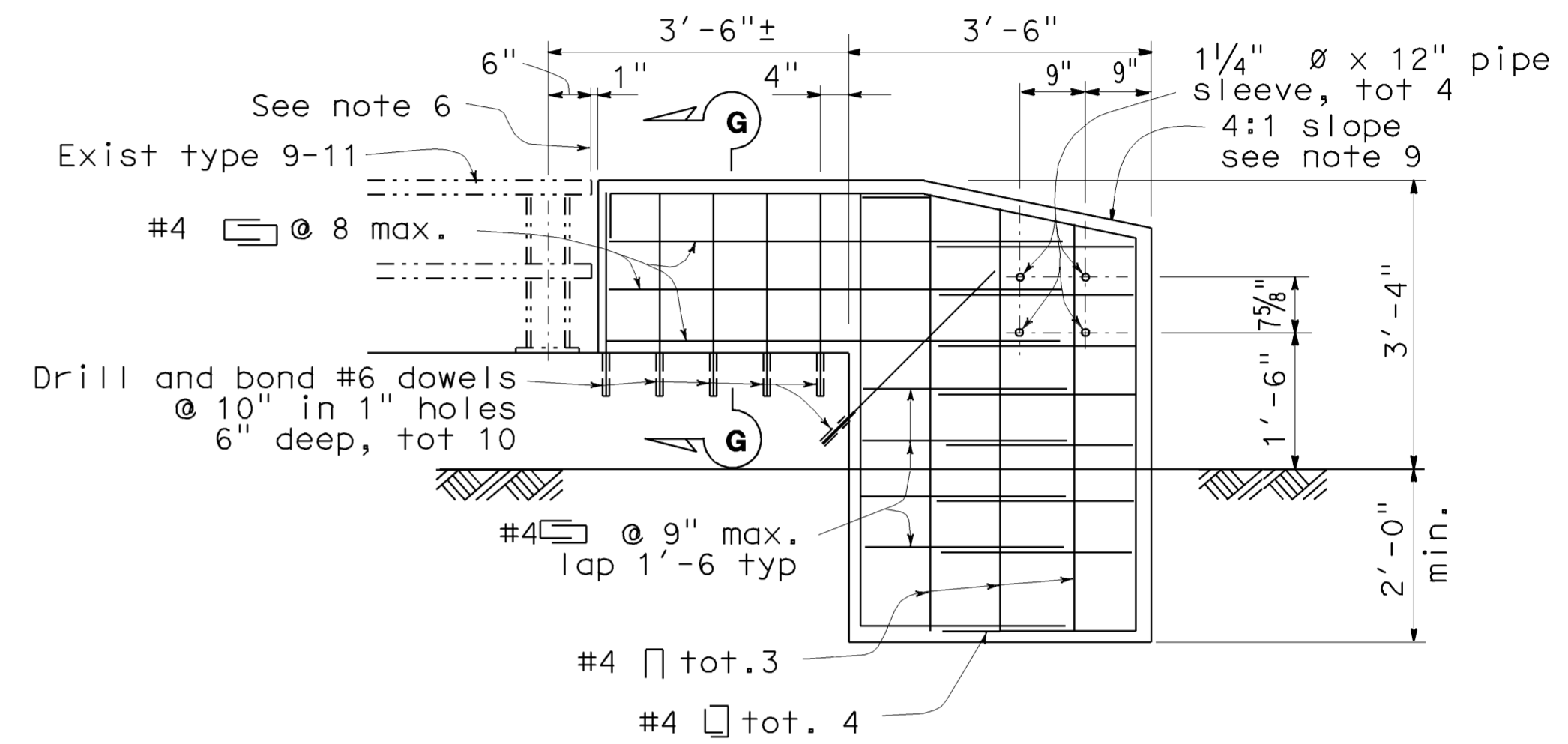
**ELEVATION  
EXISTING BARRIER RAILING TYPE 9-II  
ALTERNATIVE 1**



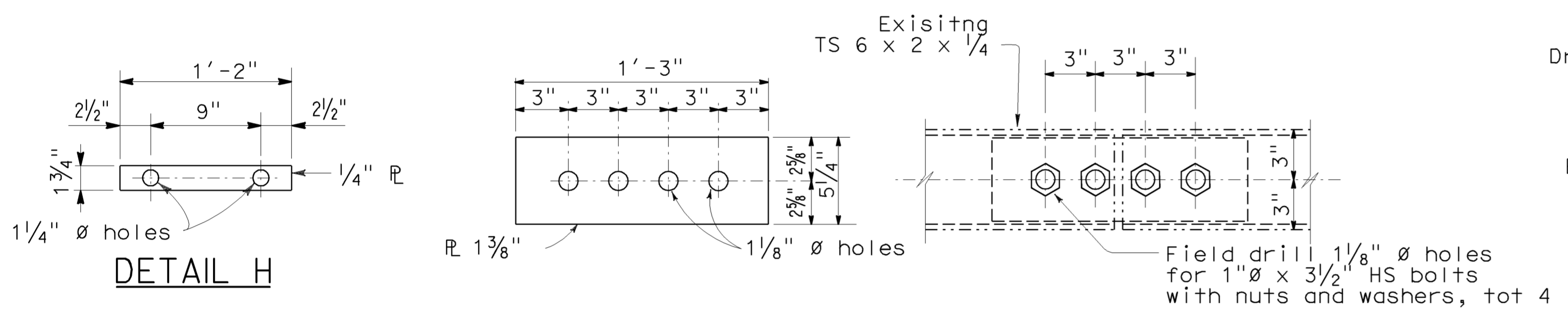
**DETAIL E**



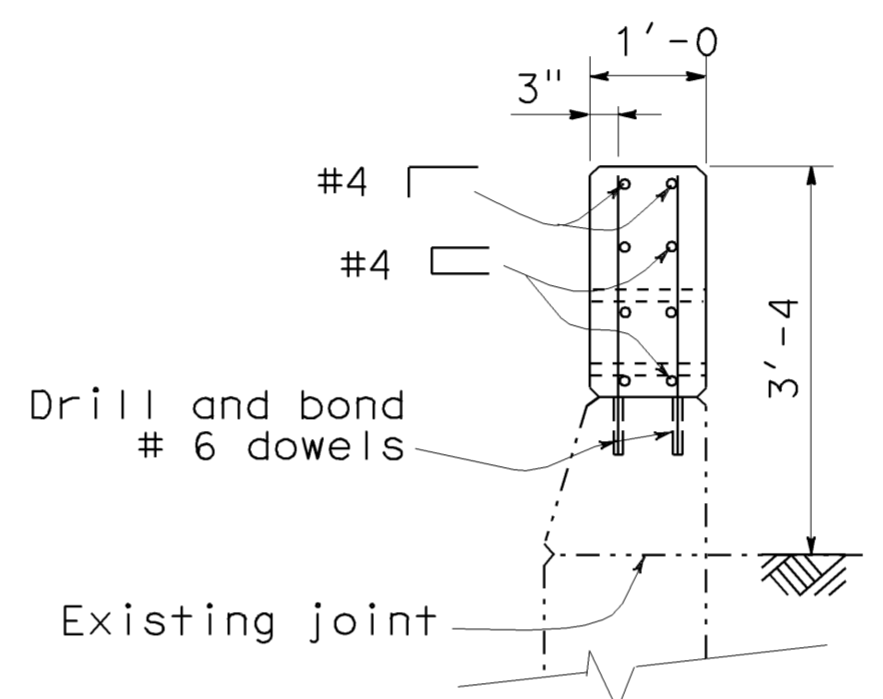
**VIEW F-F**



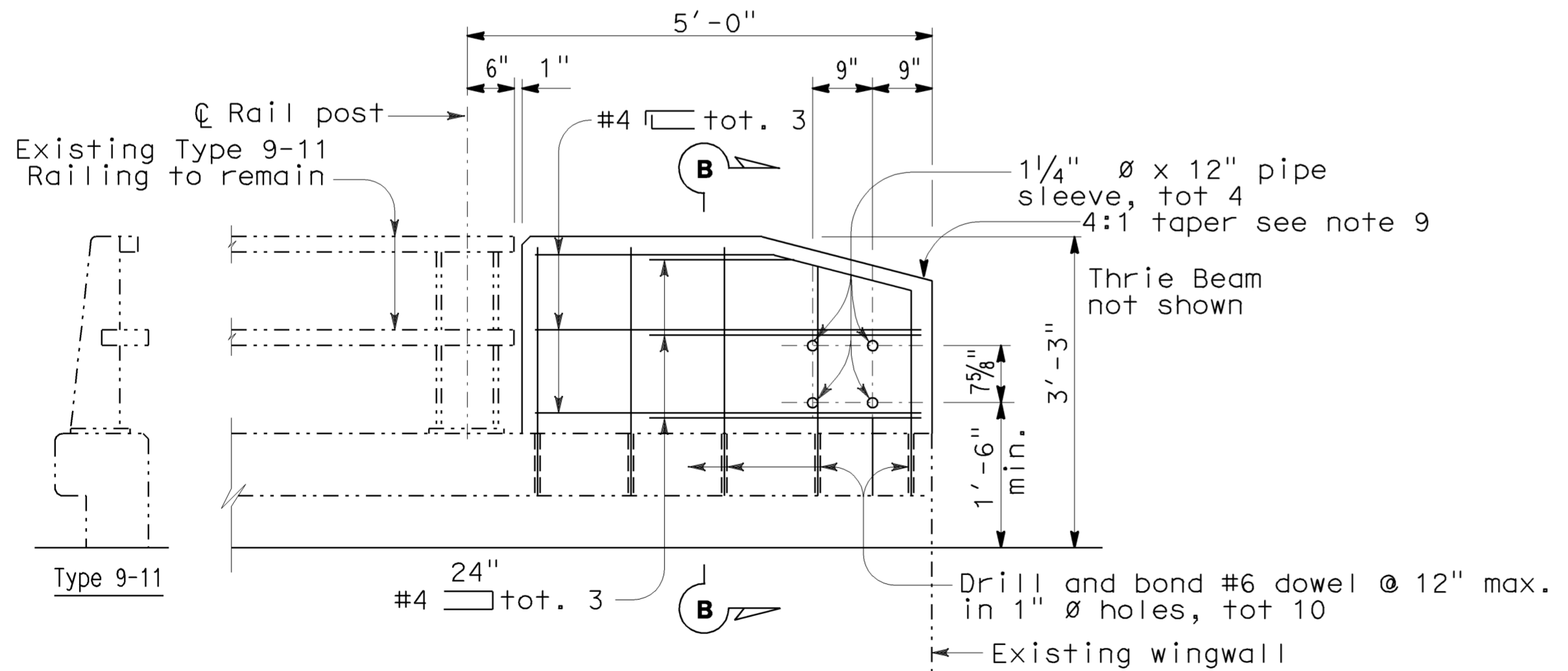
**ELEVATION  
EXISTING BARRIER RAILING TYPE 9-II  
ALTERNATIVE 3**



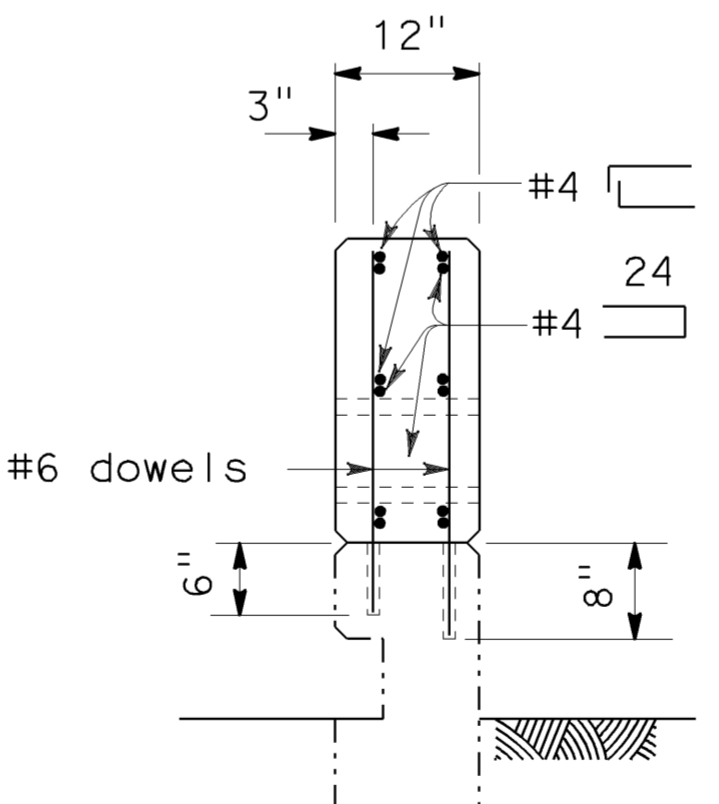
**SPLICE PLATE  
MODIFIED TUBE  
RAIL SPLICE DETAIL**



**SECTION G-G**



**EXISTING BARRIER RAILING TYPE 9-II  
ALTERNATIVE 2**



**SECTION B-B**

NO SCALE

**SHEET 2 OF 2**

<b>STANDARD DRAWING</b>		
FILE NO. <b>xs16-430-2e</b>	APPROVED BY <b>T SATTER</b> RESPONSIBLE TECHNICAL SPECIALIST	RELEASED BY <b>ROBERTO LACALLE</b> RESPONSIBLE OFFICE CHIEF
APPROVAL DATE <b>4-15-08</b>		RELEASE DATE <b>4-15-08</b>

**STATE OF CALIFORNIA**  
DEPARTMENT OF TRANSPORTATION

**DIVISION OF ENGINEERING SERVICES**

BRIDGE NO.

POST MILE

**THRIE BEAM CONNECTION DETAILS  
BARRIER RAILING TYPE 9 AND 9-11**