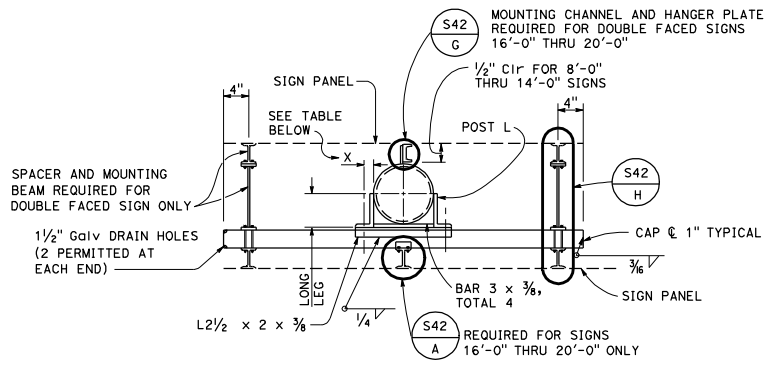
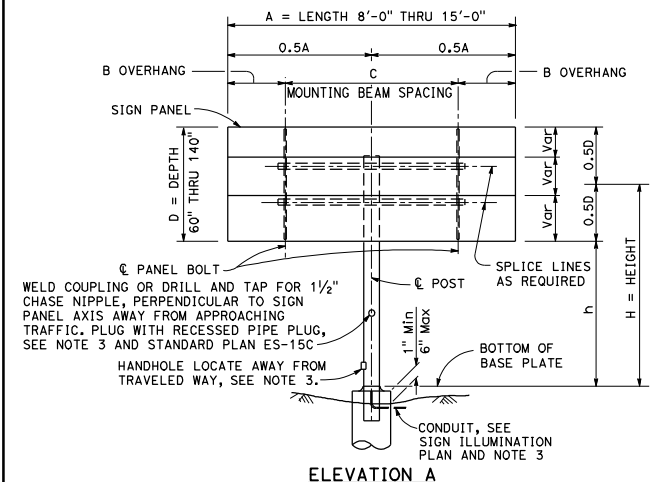


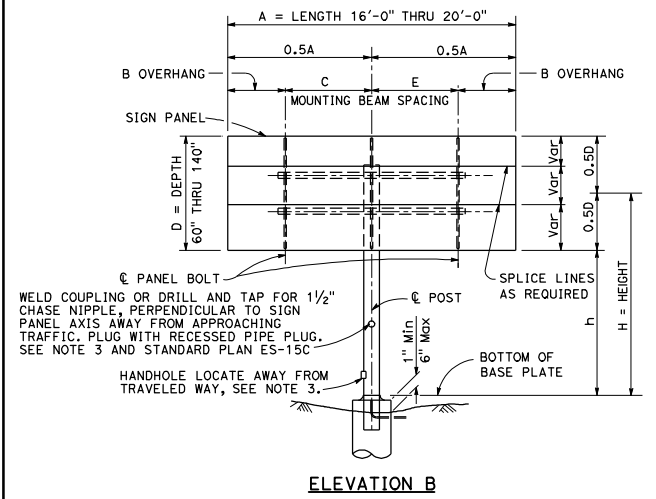
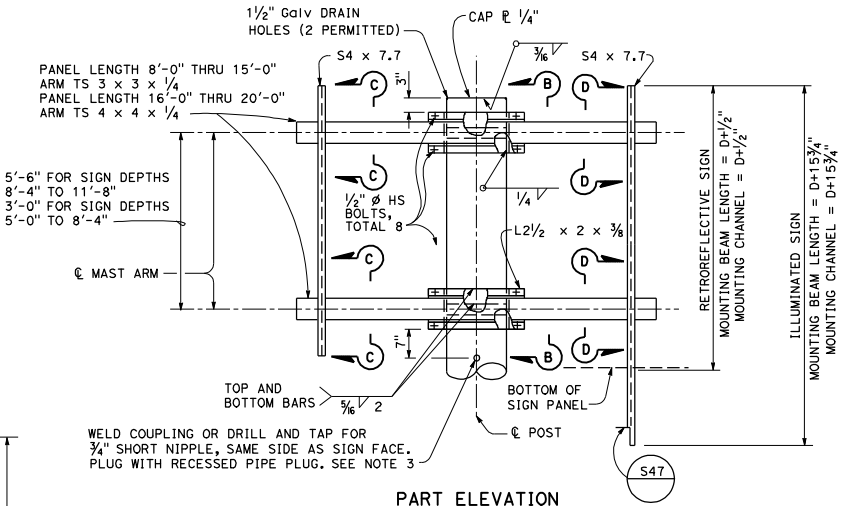
DIST	COUNTY	ROUTE	POST MILES TOTAL PROJECT	SHEET NO.	TOTAL SHEETS

May 20, 2011
 PLANS APPROVAL DATE
 THE STATE OF CALIFORNIA OR ITS OFFICERS OR AGENTS SHALL NOT BE RESPONSIBLE FOR THE ACCURACY OR COMPLETENESS OF SCANNED COPIES OF THIS PLAN SHEET.



MOUNTING BEAM SPACING

SIGN PANEL LENGTH	NUMBER MOUNTING BEAMS	SIGN PANEL OVERHANG	MOUNTING BEAM SPACING	
A		B	C	E
5'-0"	2	9"	3'-6"	
6'-0"		1'-0"	4'-0"	
7'-0"		1'-3"	4'-6"	
8'-0"		1'-6"	5'-0"	
9'-0"		1'-10"	5'-4"	
10'-0"		2'-0"	6'-0"	
11'-0"		2'-0"	7'-0"	
12'-0"		2'-6"	7'-0"	
13'-0"		2'-6"	8'-0"	
14'-0"		2'-6"	9'-0"	
15'-0"		3'-0"	9'-0"	
16'-0"	3	6"	7'-6"	7'-6"
17'-0"		1'-0"	7'-6"	7'-6"
18'-0"		1'-0"	8'-0"	8'-0"
19'-0"		1'-0"	8'-6"	8'-6"
20'-0"		1'-6"	8'-6"	8'-6"



POST		POST ANGLES		
NPS	Min 1/4"	ANGLE	X	WELD
6	3/8"	L3 1/2 x 3 x 1/2	1 3/4"	1/4"
6	7/8"	L3 1/2 x 3 x 1/2		
8	5/8"	L5 x 3 x 1/2		
8	1/2"	L5 x 3 x 1/2		
10		L6 x 4 x 5/8	2 1/2"	
12		L7 x 4 x 5/8		3/8"
14		L8 x 4 x 3/4		3/8"
14	5/8"	L8 x 4 x 3/4		3/8"

"t" = Wall thickness

- NOTES:**
- For sections and detail not shown, see S42.
 - For post and foundation details, see Standard Plans S48 and S49.
 - Drilled holes, plugs, conduit and handhole required on illuminated signs only.
 - Optional welded splice in post, see S2.

STATE OF CALIFORNIA
 DEPARTMENT OF TRANSPORTATION
**OVERHEAD SIGNS-LIGHTWEIGHT
 BALANCED-SINGLE STEEL POST
 CONNECTION AND
 MOUNTING DETAILS**

NO SCALE

S41