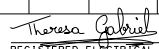
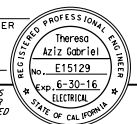
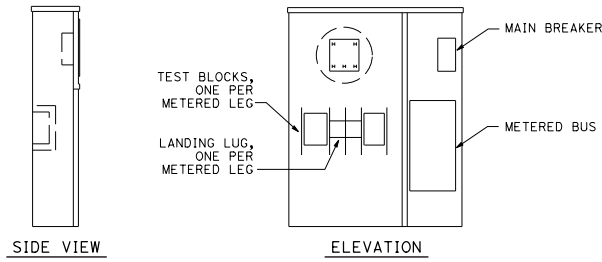


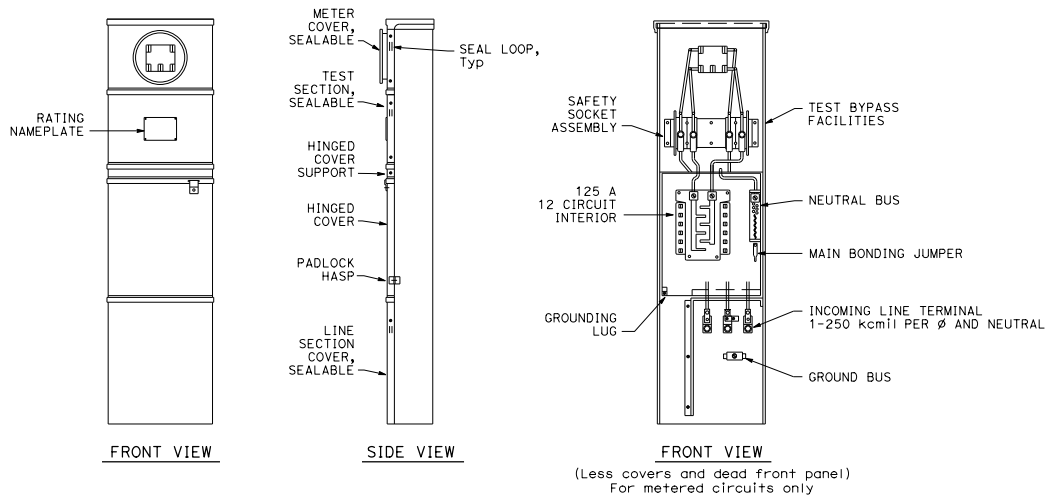
DIST	COUNTY	ROUTE	POST MILES TOTAL PROJECT	SHEET NO.	TOTAL SHEETS
 REGISTERED ELECTRICAL ENGINEER					
October 30, 2015 PLANS APPROVAL DATE					
					
THE STATE OF CALIFORNIA OR ITS OFFICERS OR AGENTS SHALL NOT BE RESPONSIBLE FOR THE ACCURACY OR COMPLETENESS OF SCANNED COPIES OF THIS PLAN SHEET.					

TO ACCOMPANY PLANS DATED _____



NOTES:

1. In unpaved areas, a raised portland cement concrete pad of 2'-0" x 4" x width of service equipment enclosure or controller cabinet foundation shall be constructed in front of Type II service equipment enclosure.
2. Circuit breakers may be mounted in the vertical or horizontal position.



STATE OF CALIFORNIA
DEPARTMENT OF TRANSPORTATION

**ELECTRICAL SYSTEMS
(SERVICE EQUIPMENT ENCLOSURE
TYPE II SERIES)**

NO SCALE

RSP ES-2B DATED OCTOBER 30, 2015 SUPERSEDES STANDARD PLAN ES-2B DATED MAY 20, 2011 - PAGE 429 OF THE STANDARD PLANS BOOK DATED 2010.

REVISED STANDARD PLAN RSP ES-2B

2010 REVISED STANDARD PLAN RSP ES-2B