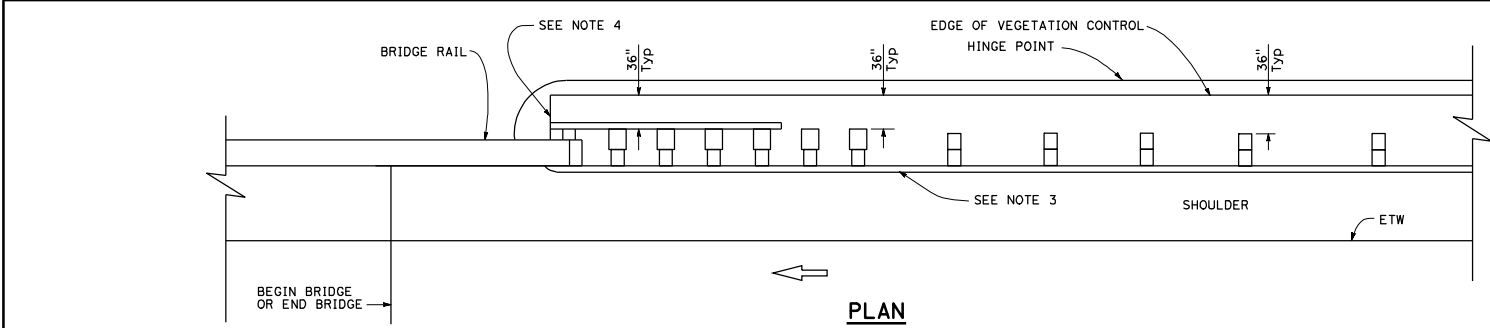
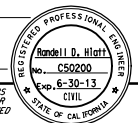
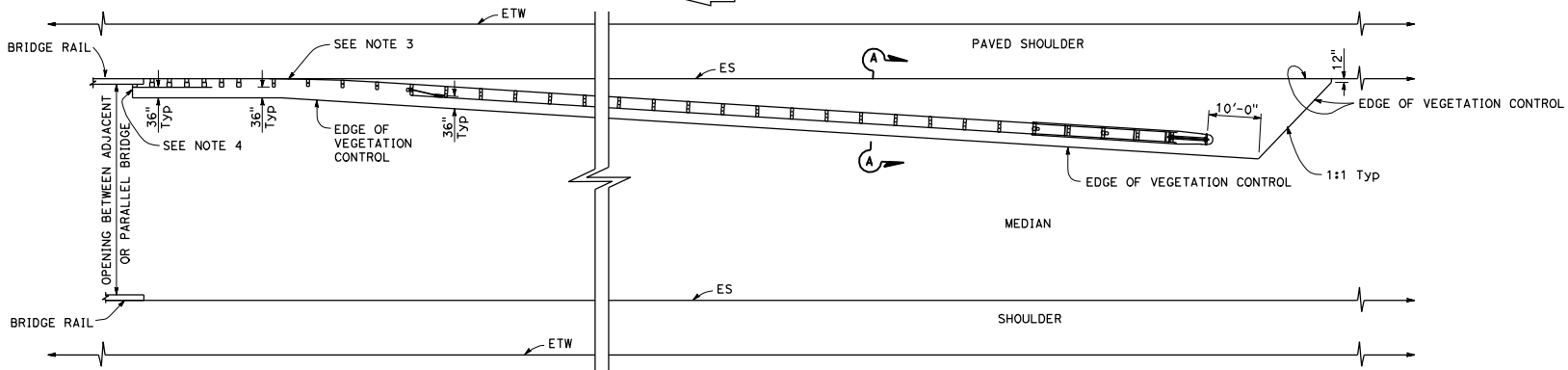


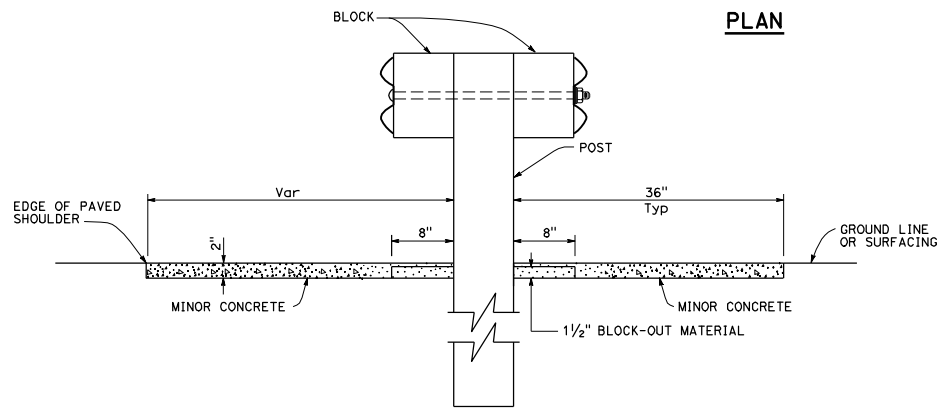
DIST	COUNTY	ROUTE	POST MILES TOTAL PROJECT	SHEET NO.	TOTAL SHEETS
<i>Randall D. Hiatt</i> REGISTERED CIVIL ENGINEER					
October 19, 2012 PLANS APPROVAL DATE					
THE STATE OF CALIFORNIA OR ITS OFFICERS OR AGENTS SHALL NOT BE RESPONSIBLE FOR THE ACCURACY OR COMPLETENESS OF SCANNED COPIES OF THIS PLAN SHEET.					
TO ACCOMPANY PLANS DATED _____					



**PLAN**



**PLAN**



**SECTION A-A**

**NOTES:**

1. See Revised Standard Plan RSP A77C5 for additional vegetation control details.
2. Where the distance between back of post and hinge point is less than 42", construct vegetation control to 6" from hinge point while maintaining the 8" block-out at back of post. If the 8" block-out at back of post can not be maintained, construct vegetation control flush with the back edge of post.
3. Where dike is constructed under railing, construct vegetation control to back edge of dike. Where paved shoulder is constructed within 36" in front of the post, construct vegetation control to the edge of paved shoulder.
4. End vegetation control at end of backside rail element.

STATE OF CALIFORNIA  
DEPARTMENT OF TRANSPORTATION

**METAL BEAM GUARD RAILING  
TYPICAL VEGETATION CONTROL  
AT STRUCTURE APPROACH**

NO SCALE

RSP A77C7 DATED OCTOBER 19, 2012 SUPERSEDES STANDARD PLAN A77C7  
DATED MAY 20, 2011 - PAGE 55 OF THE STANDARD PLANS BOOK DATED 2010.

**REVISED STANDARD PLAN RSP A77C7**

2010 REVISED STANDARD PLAN RSP A77C7