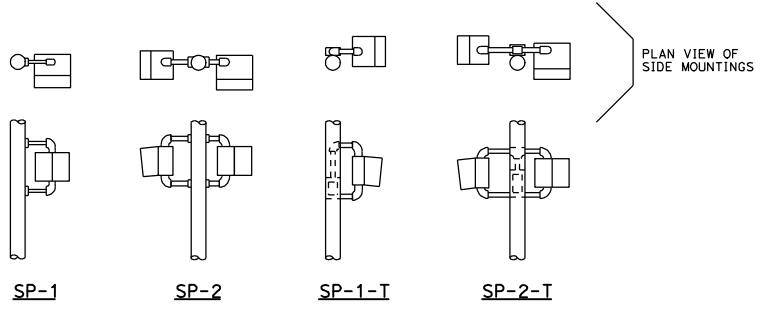
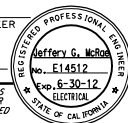
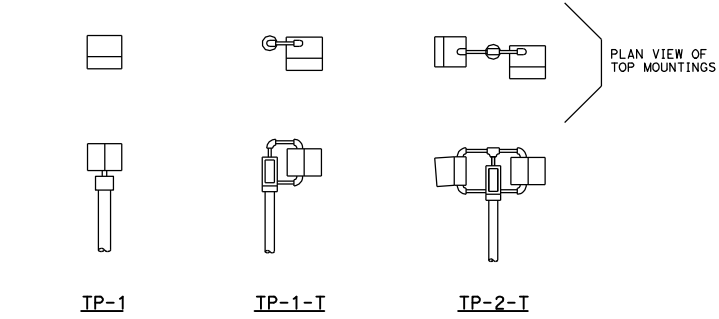


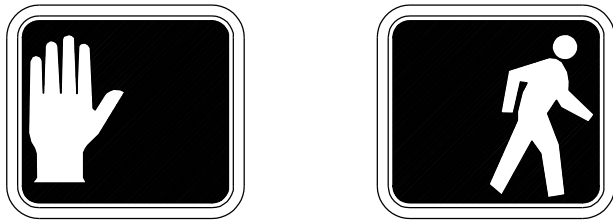
DIST	COUNTY	ROUTE	POST MILES TOTAL PROJECT	SHEET NO.	TOTAL SHEETS
<i>Jeffery G. McBoo</i> REGISTERED ELECTRICAL ENGINEER					
May 20, 2011 PLANS APPROVAL DATE					
<small>THE STATE OF CALIFORNIA OR ITS OFFICERS OR AGENTS SHALL NOT BE RESPONSIBLE FOR THE ACCURACY OR COMPLETENESS OF SCANNED COPIES OF THIS PLAN SHEET.</small>					



SIDE MOUNTINGS



TOP MOUNTINGS
PEDESTRIAN SIGNALS AND MOUNTINGS
DETAIL A



PEDESTRIAN SIGNAL FACE
DETAIL B



"METER ON" SIGN
DETAIL C

NOTES:

1. Mounting shall be oriented to provide maximum horizontal clearance to adjacent roadway.
2. Bracket arms shall be long enough to permit proper alignment of signals.
3. See Standard Plan ES-4D for attachment fittings details.

ABBREVIATIONS:

- 1, 2 NUMBER OF SIGNAL FACES
- SP SIDE MOUNTED PEDESTRIAN SIGNAL
- T TERMINAL COMPARTMENT
- TP TOP MOUNTED PEDESTRIAN SIGNAL

STATE OF CALIFORNIA
 DEPARTMENT OF TRANSPORTATION
**ELECTRICAL SYSTEMS
 (PEDESTRIAN SIGNAL AND
 RAMP METERING)**

NO SCALE