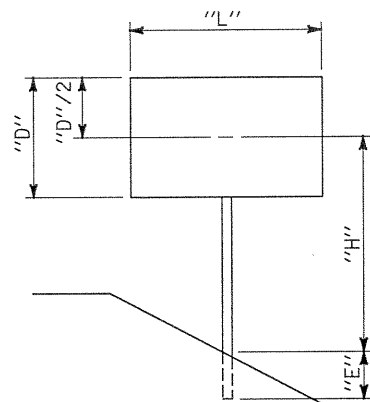


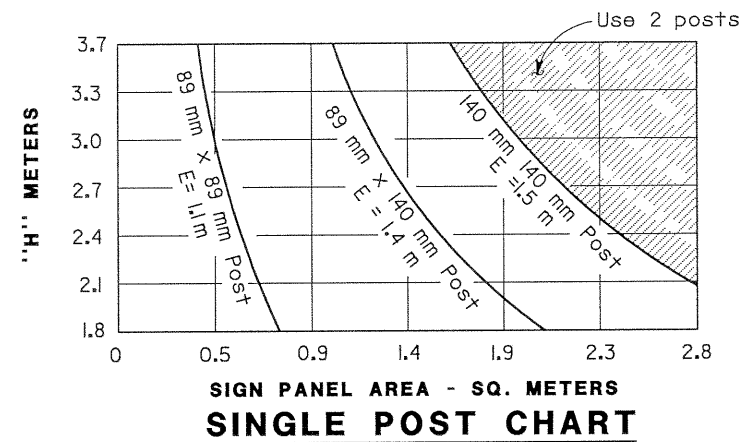


DIST.	COUNTY	ROUTE	KILOMETER POST TOTAL PROJECT	SHEET NO.	TOTAL SHEETS
REGISTERED ENGINEER - CIVIL					
PLANS APPROVAL DATE _____					

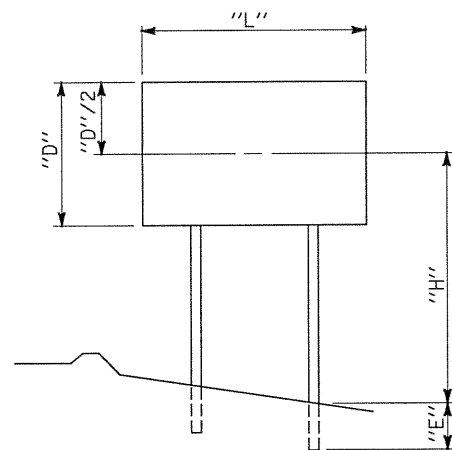
The State of California or its officers or agents shall not be responsible for the accuracy or completeness of electronic copies of this plan sheet.



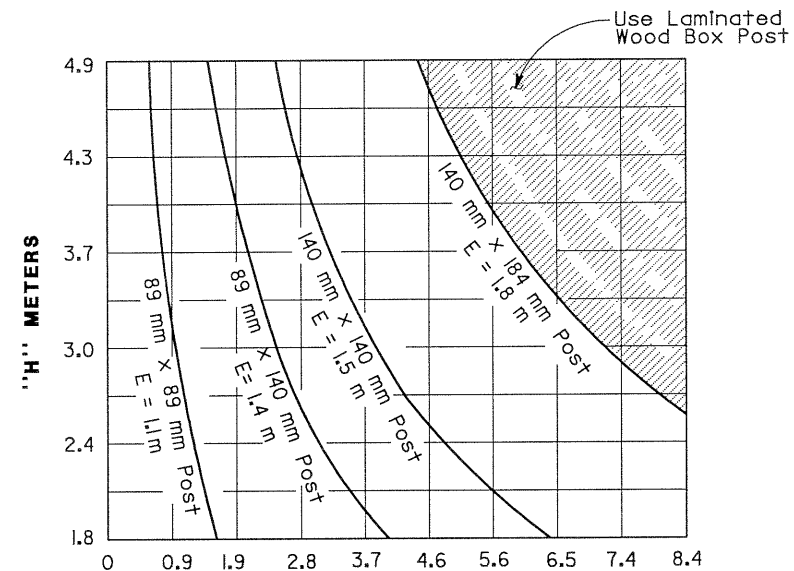
SINGLE POST



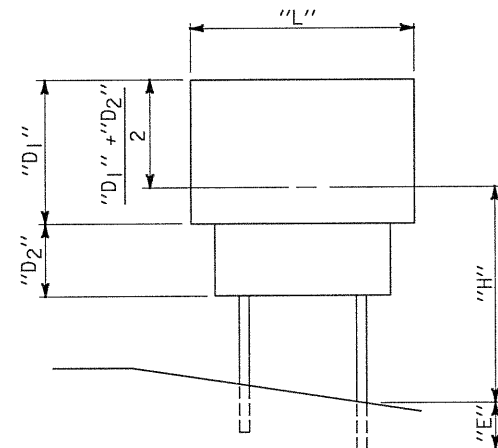
SINGLE POST CHART



TWO POST



TWO POST CHART



TWO POST

1. WIND LOAD:

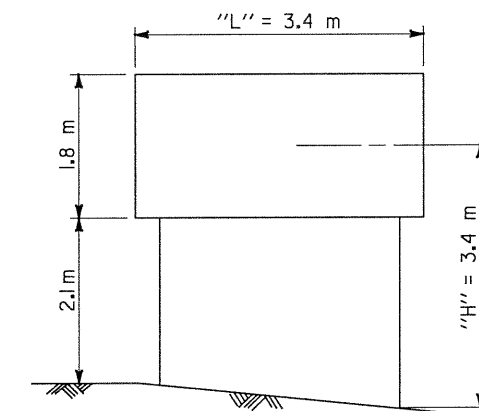
129 km/h

2. ALLOWABLE STRESSES:

100 mm x 100 mm Posts 6.2 MPa
 100 mm x 150 mm and larger posts 6.6 MPa

Allowable stresses are increased 40% for wind loads.

3. EXAMPLE:



Area = 1.8 m x 3.4 m = 6.1m
 H = 3.4 m
 Use 150 mm x 200 mm post, "E" = 1.8 m

THIS SHEET NOT A PART OF CONTRACT PLANS	
ROADSIDE SIGNS	
WOOD POST SELECTION CHARTS	27