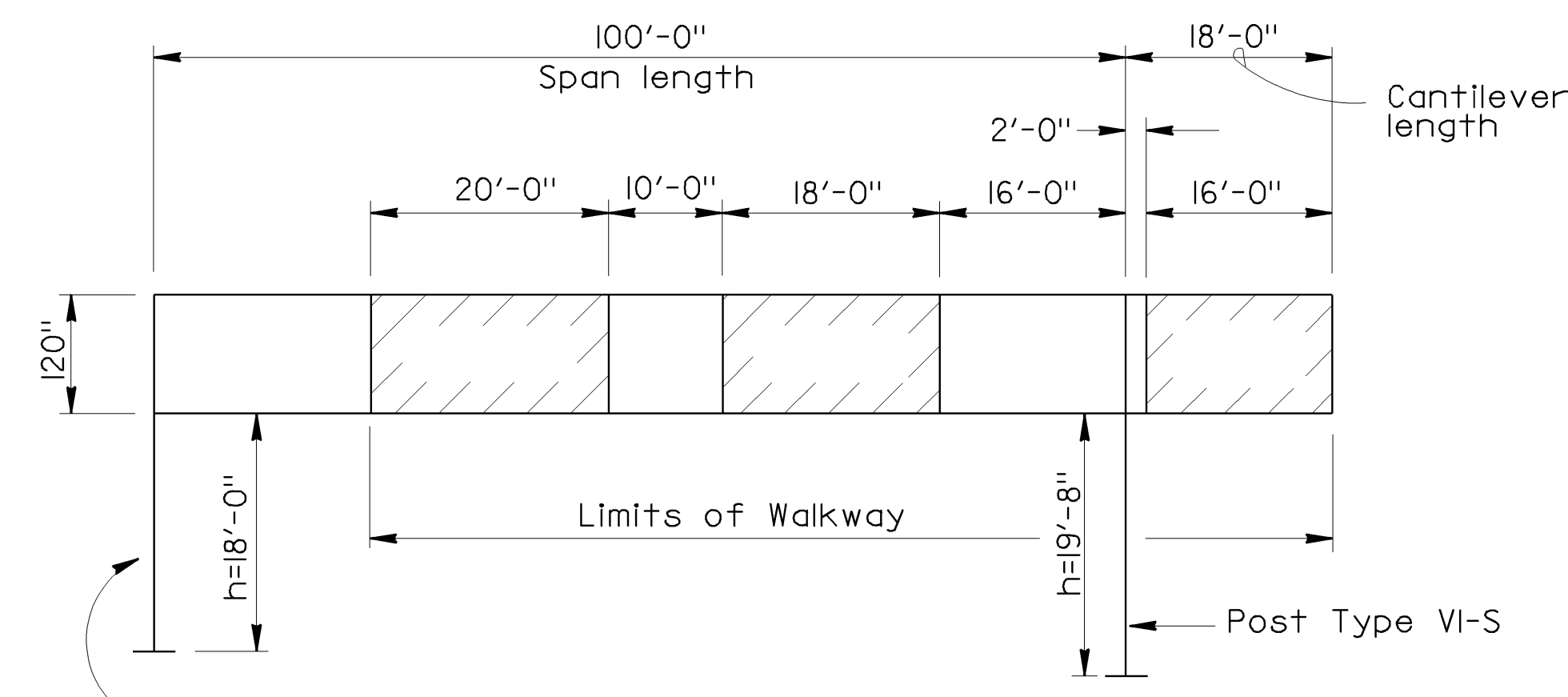
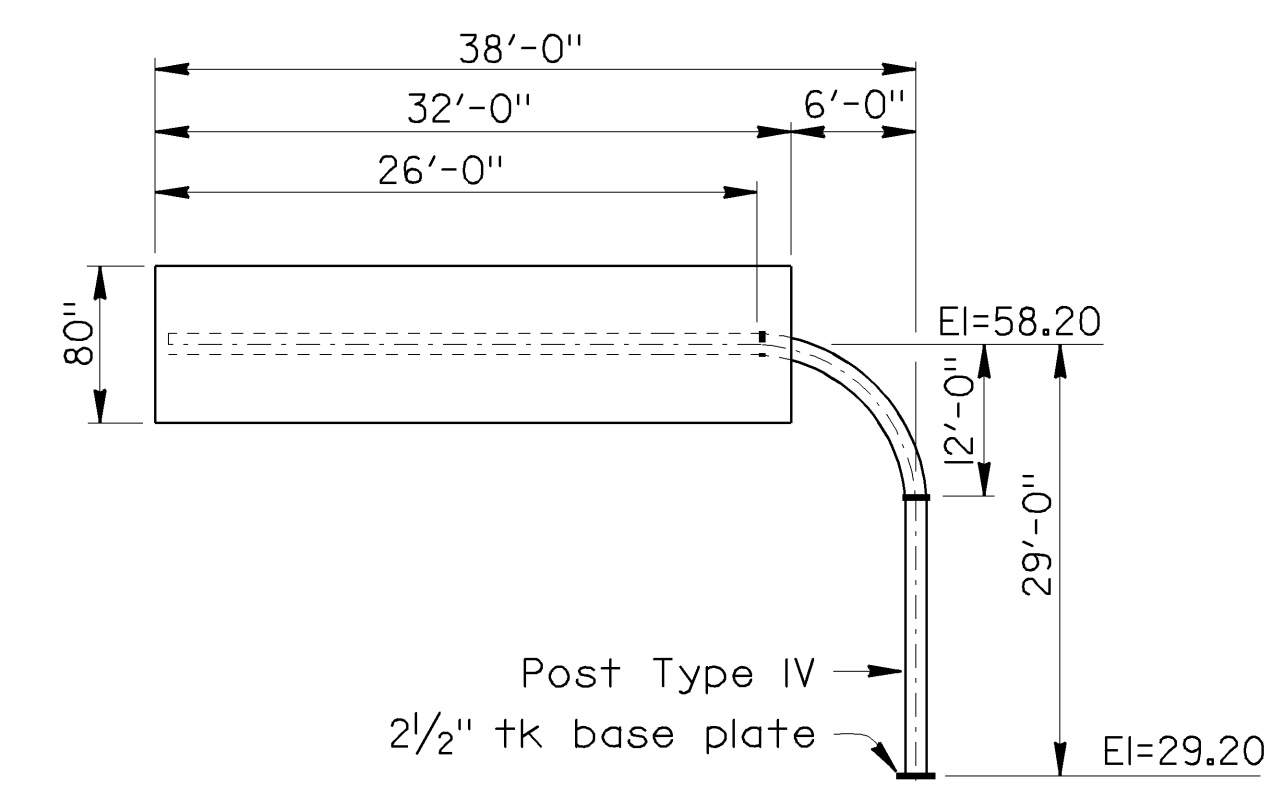


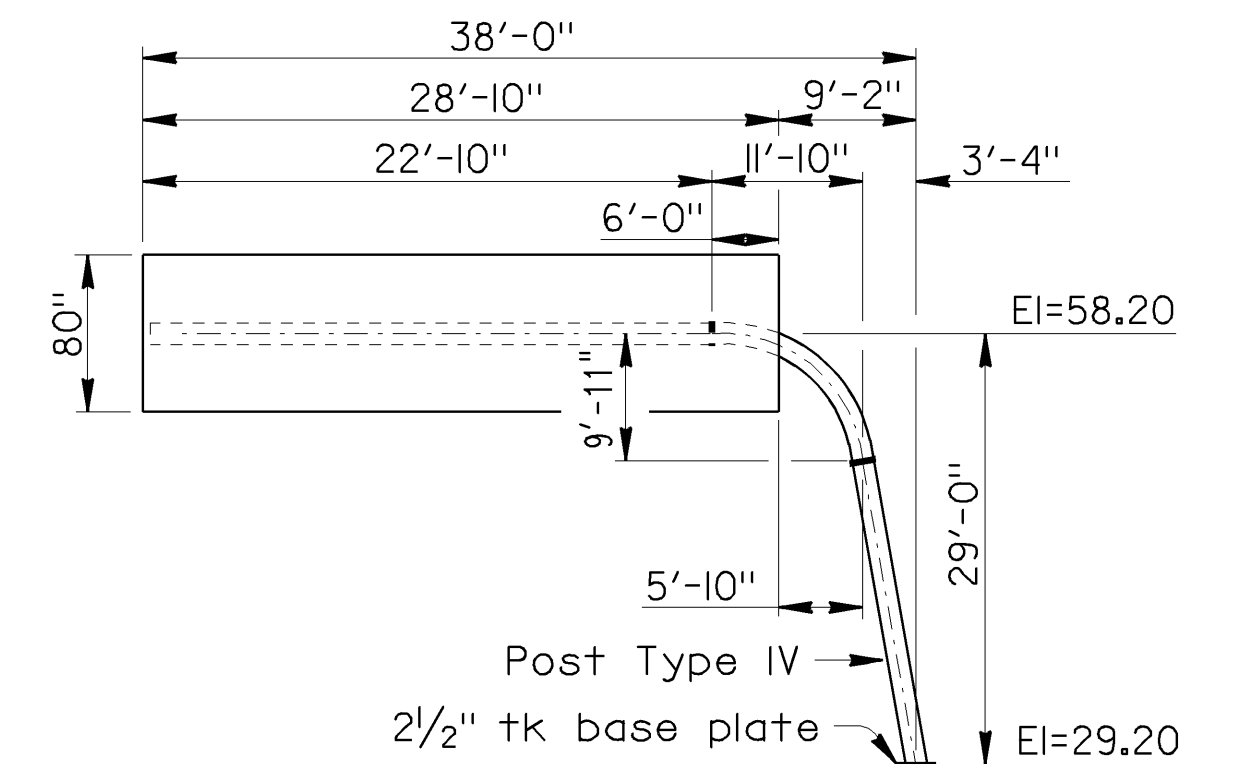
① **FNBST STA 111 + 11 "A-1"**
OVERHEAD SIGN TRUSS
SINGLE POST TYPE
 Laminated Sign Panel



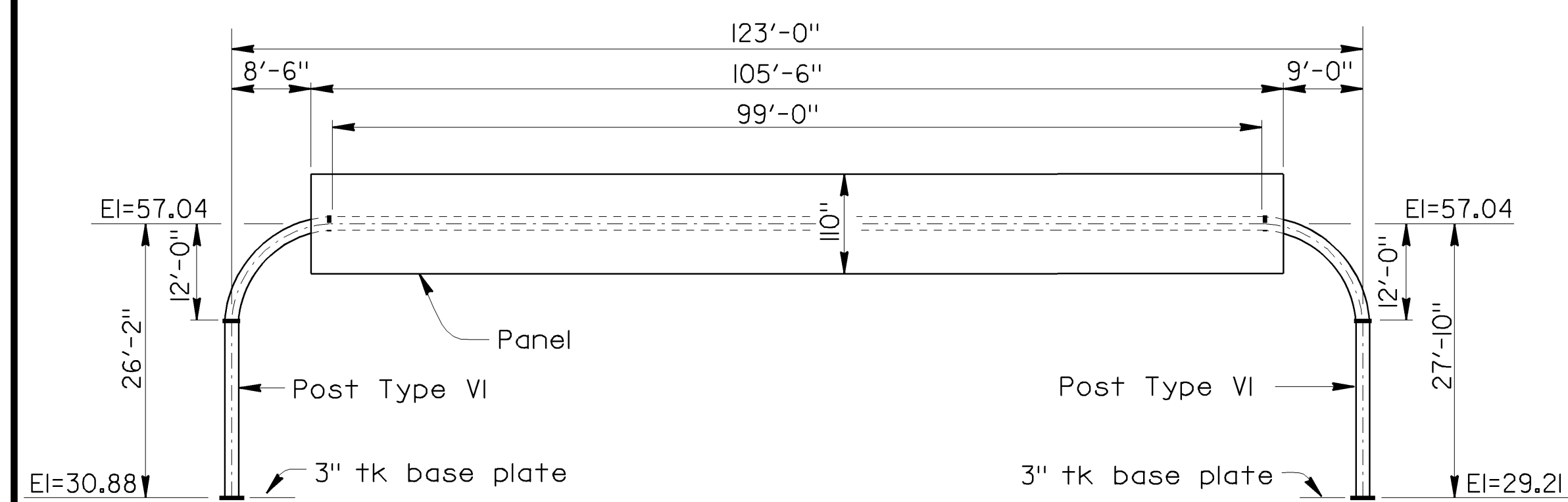
② **FNBST STA 222 + 22 "B-2"**
OVERHEAD SIGN TRUSS
TWO POST TYPE
 Removable Sign Panel



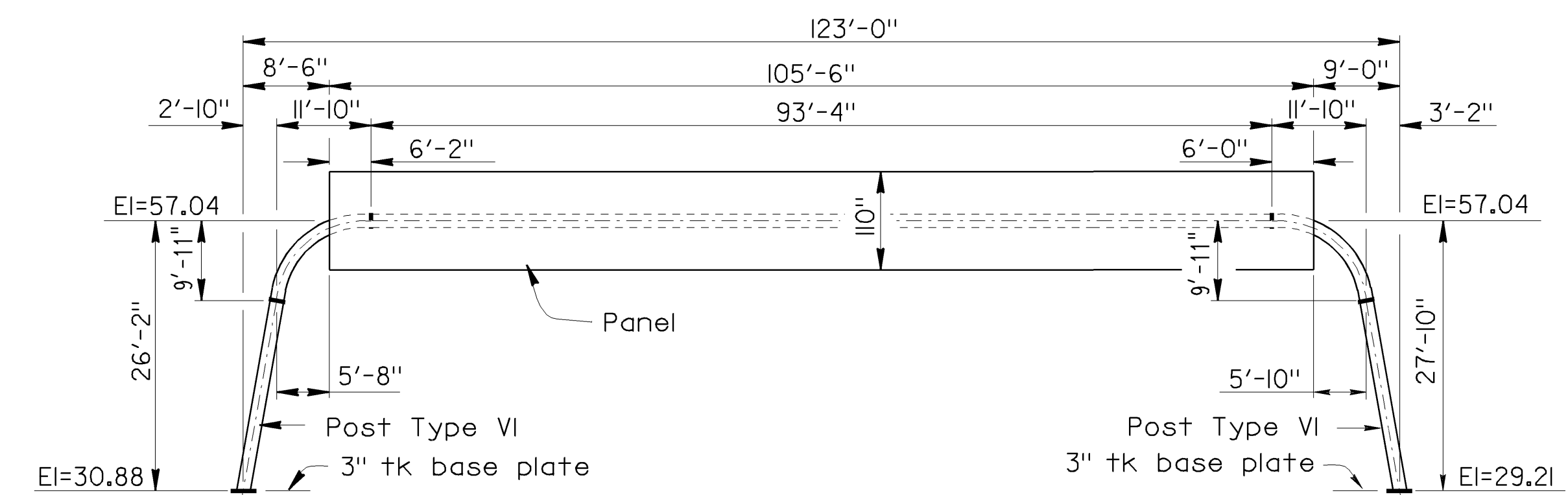
③ **FNBST STA 333 + 33 "C-3"**
OVERHEAD SIGN TUBULAR
SINGLE POST TYPE
 Vertical Post



④ **FNBST STA 444 + 44 "D-4"**
OVERHEAD SIGN TUBULAR
SINGLE POST TYPE
 Slanted Post



⑤ **FNBST STA 555 + 55 "E-5"**
OVERHEAD SIGN TUBULAR
TWO POST TYPE
 Vertical Post



⑥ **FNBST STA 666 + 66 "F-6"**
OVERHEAD SIGN TUBULAR
TWO POST TYPE
 Slanted Post

Sign No.	Station	Sign Structure - lbs			CIDH Pile				5' Dia. Sign Pile
		Truss	Tubular	Bridge Mounted	Linear		Diameter		
					Lt	Rt	Lt	Rt	
①	111+11 "A-1"	24,758				25'-0"		5'-0"	25'-0"
②	222+22 "B-2"	48,982			28'-0"	28'-0"	5'-0"	5'-0"	56'-0"
③	333+33 "C-3"		18,450			33'-0"		5'-0"	33'-0"
④	444+44 "D-4"		17,864			33'-0"		5'-0"	33'-0"
⑤	555+55 "E-5"		49,886		33'-0"	33'-0"	5'-0"	5'-0"	66'-0"
⑥	666+66 "F-6"		49,298		33'-0"	33'-0"	5'-0"	5'-0"	66'-0"
	Total	73,740	135,498						279'

NOTE:
 This sheet illustrates the method of providing a summary of quantities. Truss, and Tubular signs are usually not intermixed within a project.

THIS SHEET NOT A PART OF CONTRACT PLANS

OVERHEAD SIGNS

FORMAT AND QUANTITIES SHEET

6