

**REMOVABLE SIGN PANEL FRAME (WEIGHT - lb )\***  
(FOR OVERHEAD FORMED PANEL)

| PANEL LENGTH | PANEL DEPTH |     |     |     |     |      |      |      |
|--------------|-------------|-----|-----|-----|-----|------|------|------|
|              | 50"         | 60" | 70" | 80" | 90" | 100" | 110" | 120" |
| 4'           | 82          | 88  | 95  | 101 | 108 | 115  | 119  | 126  |
| 6'           | 128         | 139 | 150 | 161 | 172 | 183  | 194  | 205  |
| 8'           | 141         | 152 | 163 | 174 | 187 | 198  | 209  | 220  |
| 10'          | 183         | 198 | 214 | 229 | 247 | 262  | 280  | 295  |
| 12'          | 196         | 214 | 229 | 245 | 260 | 278  | 293  | 311  |
| 14'          | 236         | 258 | 280 | 300 | 322 | 344  | 364  | 386  |
| 16'          | 251         | 271 | 293 | 315 | 335 | 357  | 379  | 399  |
| 18'          | 295         | 322 | 348 | 375 | 399 | 428  | 454  | 481  |
| 20'          | 311         | 335 | 364 | 388 | 414 | 443  | 467  | 494  |
| 22'          | 359         | 392 | 425 | 456 | 489 | 522  | 556  | 586  |
| 24'          | 375         | 408 | 439 | 472 | 505 | 538  | 571  | 602  |
| 26'          | 414         | 452 | 489 | 527 | 564 | 602  | 639  | 677  |
| 28'          | 432         | 472 | 507 | 547 | 582 | 622  | 659  | 697  |
| 30'          | 476         | 520 | 562 | 604 | 646 | 690  | 732  | 776  |
| 32'          | 518         | 564 | 613 | 659 | 708 | 754  | 802  | 851  |
| 34'          | 536         | 582 | 631 | 679 | 725 | 774  | 822  | 869  |
| 36'          | 575         | 628 | 681 | 734 | 791 | 840  | 893  | 946  |
| 38'          | 591         | 644 | 697 | 750 | 800 | 853  | 906  | 959  |
| 40'          | 604         | 657 | 712 | 763 | 816 | 869  | 922  | 974  |

\* Includes frame and attaching / s

**FOUNDATION QUANTITIES FOR ONE SPREAD FOOTING**

| POST TYPE | BAR REINF STEEL, lb | CLASS "A" CONC, ft <sup>3</sup> | STRUCT EXCAV, ft <sup>3</sup> | STRUCT BACKFILL, ft <sup>3</sup> |
|-----------|---------------------|---------------------------------|-------------------------------|----------------------------------|
| II        | 3,424               | 490.9                           | 1,367                         | 872.3                            |
| III       | 3,554               | 522.7                           | 1,462                         | 942.9                            |
| IV        | 3,554               | 522.7                           | 1,462                         | 942.9                            |
| V         | 4,846               | 558                             | 1,575                         | 1,017.1                          |
| VI        | 5,677               | 646.3                           | 1,783.4                       | 1,140.7                          |
| VII       | 5,853               | 678                             | 1,889.3                       | 1,211.3                          |
| VIII      | 5,906               | 709.8                           | 1,995.3                       | 1,285.5                          |
| IX        | 5,906               | 709.8                           | 1,995.3                       | 1,285.5                          |

Note: Quantities are based on a spread footing and a 6'-6" pedestal

**JUNCTURE CONNECTIONS**  
UPPER & LOWER CHORD CONNECTIONS (CAP PLATE & RING, LOWER SEAT PLATE, POST PLATES & POST GUSSETS AT JUNCTURE)

| POST TYPE | FOR CHORD ANGLE L5" x 5" x 1/2" Total Wt (lb) | FOR CHORD ANGLE L6" x 6" x 1/2" Total Wt (lb) |
|-----------|---|---|
| II        | 686   | 783   |
| III       | 785   | 888   |
| IV        | 891   | 1,001   |
| V         | 1,003   | 1,122   |
| VI        | 1,250   | 1,382   |
| VII       | 1,250   | 1,382   |
| VIII      | 1,250   | 1,382   |
| IX        | 1,250   | 1,382   |

**WEIGHT OF ANCHOR BOLTS w/NUTS A307**

| POST TYPE | TOTAL Wt BOLT & NUTS (lb EA POST) |
|-----------|-----------------------------------|
| II        | 668                               |
| III       | 668                               |
| IV        | 668                               |
| V         | 780                               |
| VI        | 1,140                             |
| VII       | 1,140                             |
| VIII      | 1,140                             |
| IX        | 1,140                             |

**MOUNTING BEAMS ON OVERHEAD SIGN TRUSS (WEIGHT - lb )**  
(FOR LAMINATED PANEL TYPE A )

| PANEL LENGTH |           | PANEL DEPTH |     |     |     |     |      |      |      |
|--------------|-----------|-------------|-----|-----|-----|-----|------|------|------|
|              |           | 50"         | 60" | 70" | 80" | 90" | 100" | 110" | 120" |
| 4'           | TO 15'    | 79          | 93  | 106 | 119 | 130 | 143  | 154  | 168  |
| 15'-5"       | TO 24'    | 119         | 139 | 159 | 176 | 194 | 214  | 234  | 251  |
| 24'-3"       | TO 32'-9" | 161         | 185 | 209 | 236 | 260 | 284  | 311  | 335  |
| 33'          | TO 40'    | 201         | 231 | 262 | 293 | 324 | 357  | 388  | 419  |

**GUSSETS FOR POST BASE**

| POST TYPE | Wt (lb) EA POST |
|-----------|-----------------|
| II        | 126             |
| III       | 126             |
| IV        | 126             |
| V         | 126             |
| VI        | 181             |
| VII       | 181             |
| VIII      | 181             |
| IX        | 181             |

**BASE PLATE**

| POST TYPE | Wt (lb) EA POST |
|-----------|-----------------|
| II        | 516             |
| III       | 516             |
| IV        | 516             |
| V         | 516             |
| VI        | 891             |
| VII       | 891             |
| VIII      | 1,248           |
| IX        | 1,248           |

**POST QUANTITIES (WEIGHT - lb )**

| POST TYPE | PANEL DEPTH |       |       |       |       |       |       |       | Column "A" lb/ft |
|-----------|-------------|-------|-------|-------|-------|-------|-------|-------|------------------|
|           | 50"         | 60"   | 70"   | 80"   | 90"   | 100"  | 110"  | 120"  |                  |
| II        | 1,687       | 1,746 | 1,806 | 1,867 | 1,927 | 1,986 | 1,986 | 1,986 | 72.0             |
| III       | 1,936       | 2,004 | 2,075 | 2,143 | 2,211 | 2,280 | 2,280 | 2,280 | 82.7             |
| IV        | 2,187       | 2,264 | 2,341 | 2,418 | 2,498 | 2,575 | 2,575 | 2,575 | 93.3             |
| V         | 2,436       | 2,522 | 2,608 | 2,696 | 2,782 | 2,868 | 2,868 | 2,868 | 104.0            |
| VI        |             | 3,040 | 3,144 | 3,250 | 3,353 | 3,457 | 3,457 | 3,457 | 125.3            |
| VII       |             |       | 4,665 | 4,821 | 4,976 | 5,130 | 5,130 | 5,130 | 186.0            |
| VIII & IX |             |       |       |       |       | 6,561 | 6,561 | 6,561 | 237.8            |

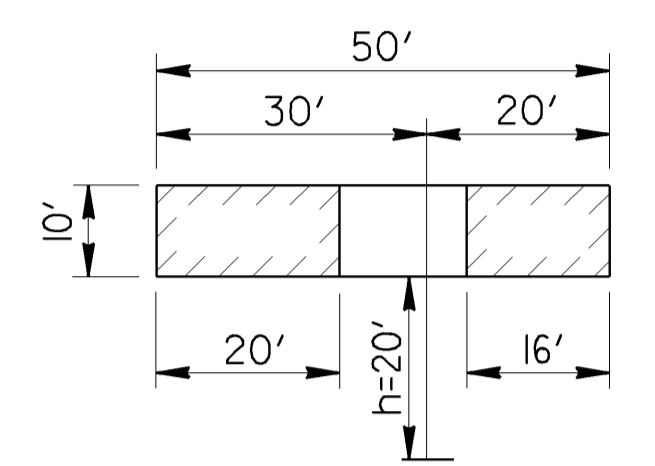
**SPECIFICATION OF PIPE POST**

| POST TYPE | Specification      | lb/ft |
|-----------|--------------------|-------|
| II        | 14" NPS x 1/2" TK  | 71.9  |
| III       | 16" NPS x 1/2" TK  | 82.7  |
| IV        | 18" NPS x 1/2" TK  | 93.3  |
| V         | 20" NPS x 1/2" TK  | 104   |
| VI        | 24" NPS x 1/2" TK  | 125.4 |
| VII       | 24" NPS x 3/4" TK  | 186   |
| VIII      | 24" NPS x 3/32" TK | 237.9 |
| IX        | 24" NPS x 3/32" TK | 237.9 |

**NOTES:**

- Post quantities are based on "h" = 18'-9". Column "A" lb/ft to be added or subtracted from weights shown on table.
- Walkway assembly includes grating, brackets, safety railing, light fixture supports and all fittings.

**EXAMPLE**



Given :

- Sign panel depth = 10'
- Length of frame = 50'
- Sign panel length = 20'
- Sign panel length = 16'
- Post = Type VIII
- Walkway assembly = 75 lb/ft
- Chord angles = L6" x 6" x 1/2"

**REMOVABLE SIGN PANEL FRAME**

|                                   |   |           |
|-----------------------------------|---|-----------|
| Truss frame                       | = | 8,854 lb  |
| Removable sign panel frame (20')  | = | 494 lb    |
| Removable sign panel frame (16')  | = | 399 lb    |
| Post = 6,561+(20'-18'-9") x 237.8 | = | 6,858 lb  |
| Walkway assembly 50' x 75 lb/ft   | = | 3,750 lb  |
| Juncture connection Type VIII     | = | 1,382 lb  |
| Anchor bolt & nuts Type VIII      | = | 1,140 lb  |
| Base plate gussets Type VIII      | = | 181 lb    |
| Base plate Type VIII              | = | 1,248 lb  |
| Sub total                         | = | 24,306 lb |
| 3.5 % for galvanizing             | = | 851 lb    |
| Total                             | = | 25,157 lb |
| Use                               | = | 25,160 lb |

**LAMINATED SIGN PANEL MOUNTING I-BEAM**

|                                   |   |           |
|-----------------------------------|---|-----------|
| Truss frame                       | = | 8,854 lb  |
| Mounting I-Beam (20')             | = | 251 lb    |
| Mounting I-Beam (16')             | = | 251 lb    |
| Post = 6,561+(20'-18'-9") x 237.8 | = | 6,858 lb  |
| Walkway assembly 50' x 75 lb/ft   | = | 3,750 lb  |
| Juncture connection Type VIII     | = | 1,382 lb  |
| Anchor bolt & nuts Type VIII      | = | 1,140 lb  |
| Base plate gussets Type VIII      | = | 181 lb    |
| Base plate Type VIII              | = | 1,248 lb  |
| Sub total                         | = | 23,915 lb |
| 3.5 % for galvanizing             | = | 838 lb    |
| Total                             | = | 24,753 lb |
| Use                               | = | 24,760 lb |

STATE OF CALIFORNIA  
DEPARTMENT OF TRANSPORTATION

**THIS SHEET NOT A PART OF CONTRACT PLANS**

**OVERHEAD SIGNS-TRUSS SINGLE POST TYPE**

**QUANTITIES**

**10**