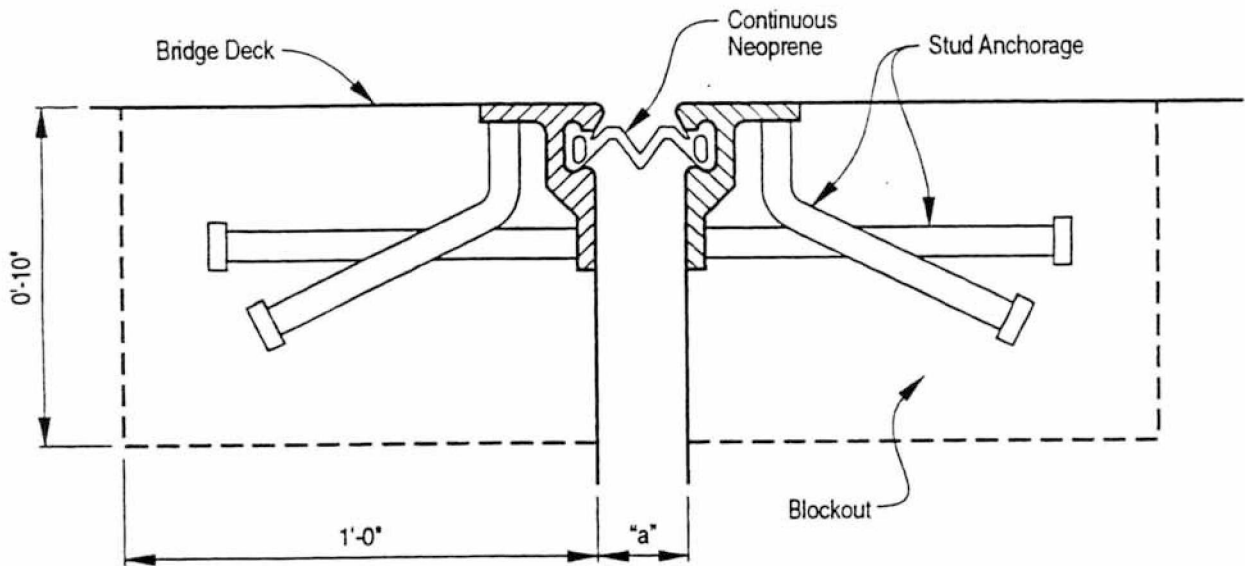


Attachment 6

Typical Alternate Joint Seal Assembly (MR = 2½ – 4 inches)



Section Thru Expansion Joint