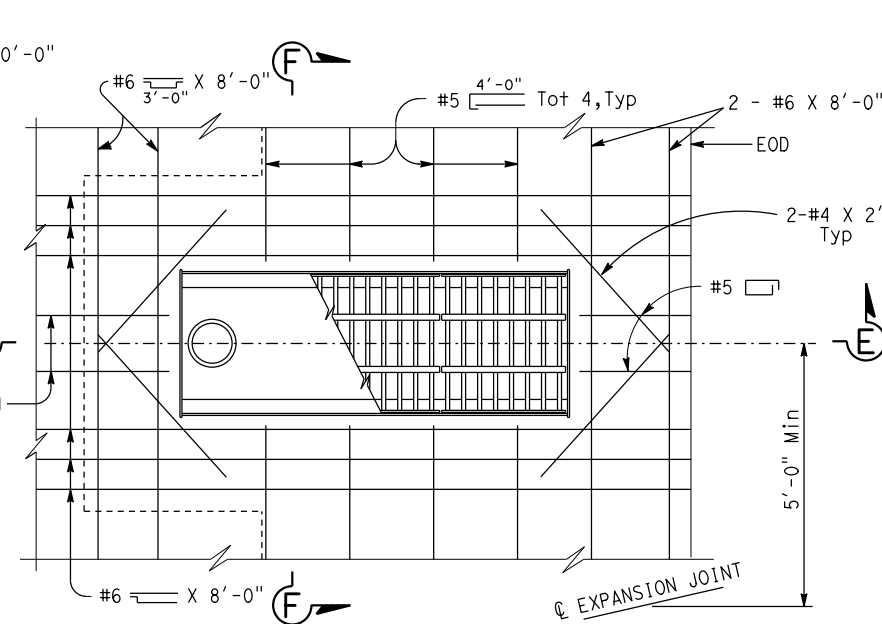
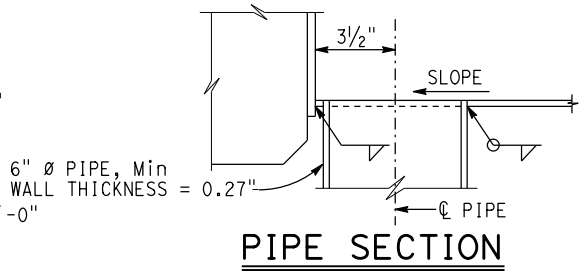


**PLAN - MEDIAN INSTALLATION**

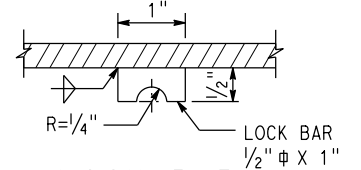


**PLAN - CURB INSTALLATION**

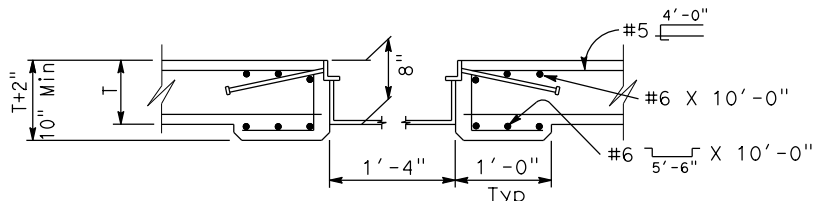


**PIPE SECTION**

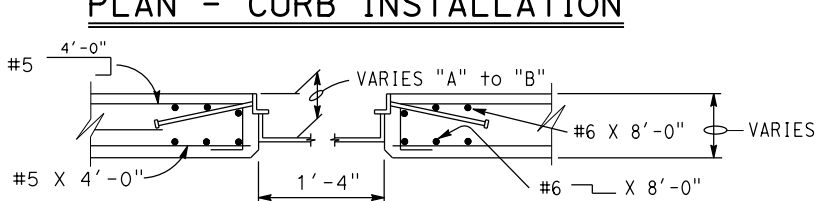
NOTE:  
Galvanize deck drain assembly after fabrication. Reinforcement shown at drains is to be placed in addition to typical slab reinforcement. Typical slab reinforcement not shown.



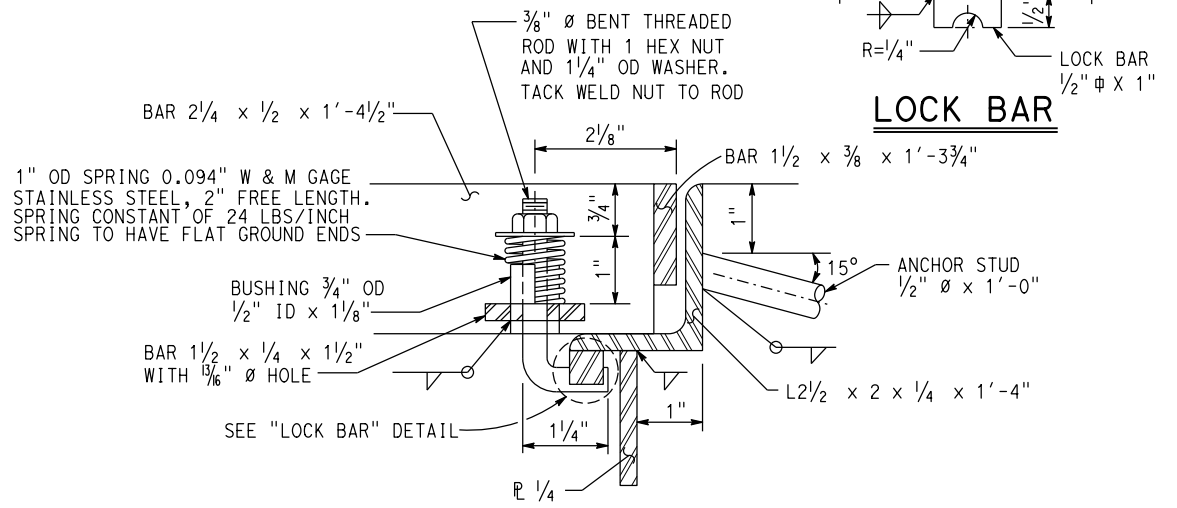
**LOCK BAR**



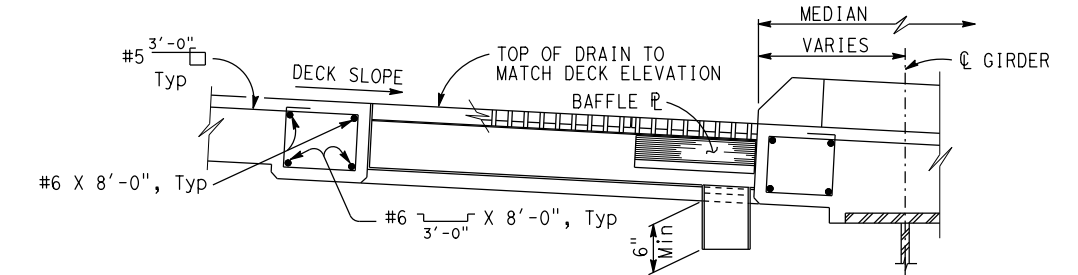
**SECTION C-C**



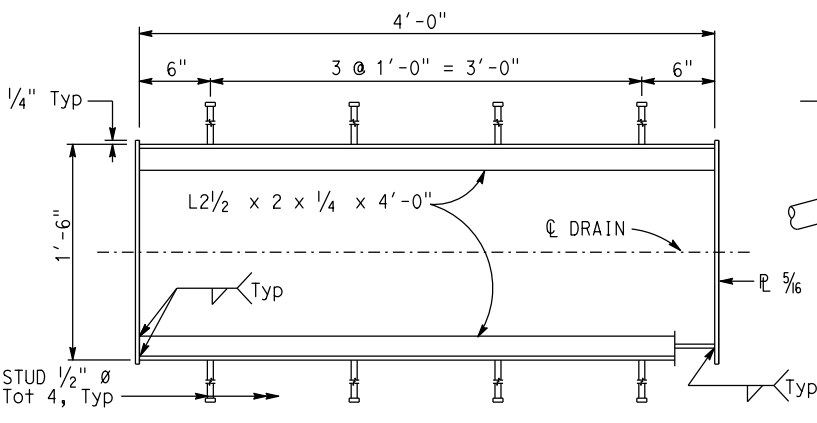
**SECTION F-F**



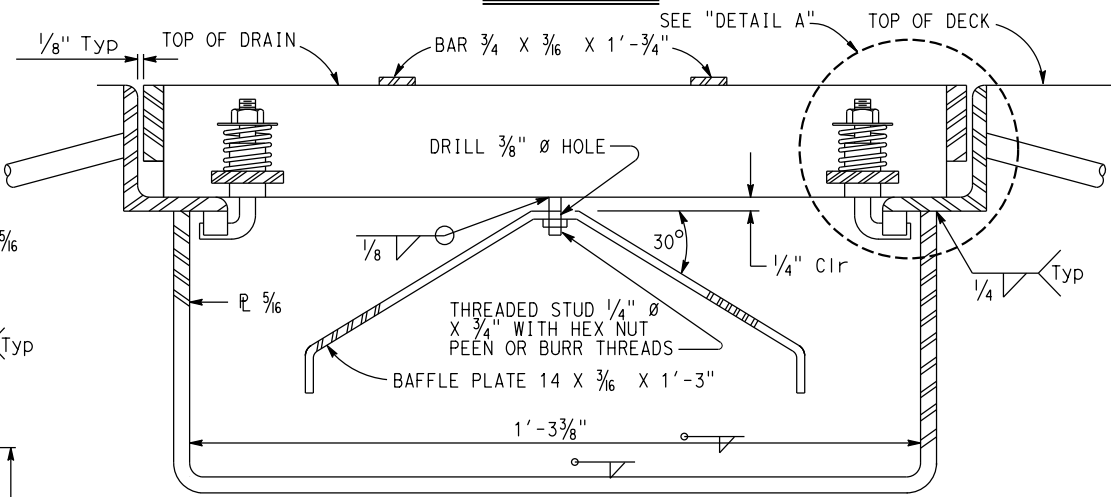
**DETAIL A**



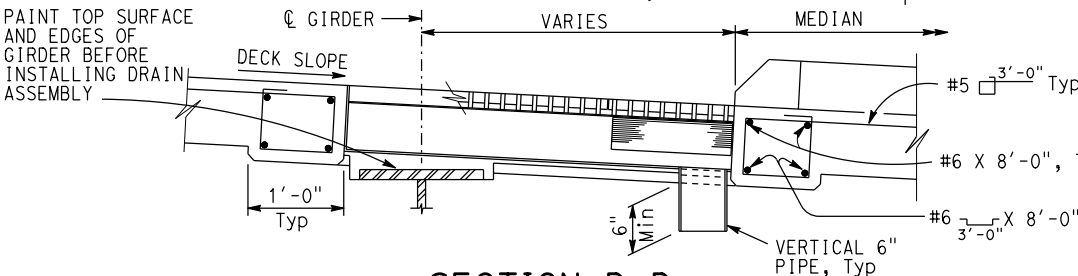
**SECTION D-D**



**PLAN - FRAME & GRATE**



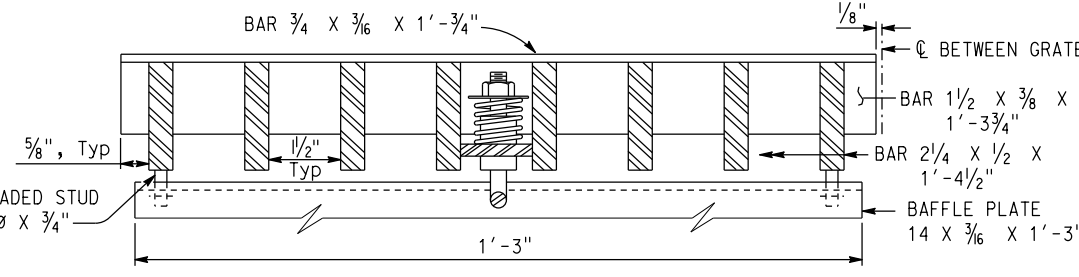
**SECTION A-A (FRAME & GRATE)**



**SECTION E-E**

DECK DRAIN		
DECK SLOPE	"A"	"B"
0% TO 6%	9"	5"
7% TO 9%	10"	5"
10% TO 12%	10 1/2"	4"

NOTE:  
Grating consists of 3 identical units except for baffle plate. Baffle plate is required only for the grate over the 6" Ø pipe



**SECTION B-B**

NO SCALE