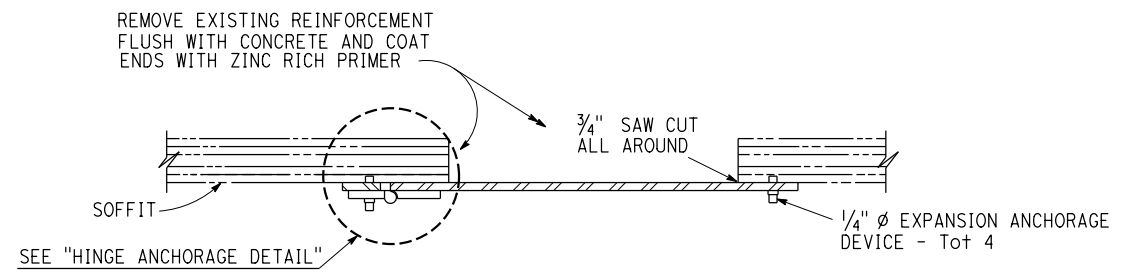


REGISTERED CIVIL ENGINEER DATE _____

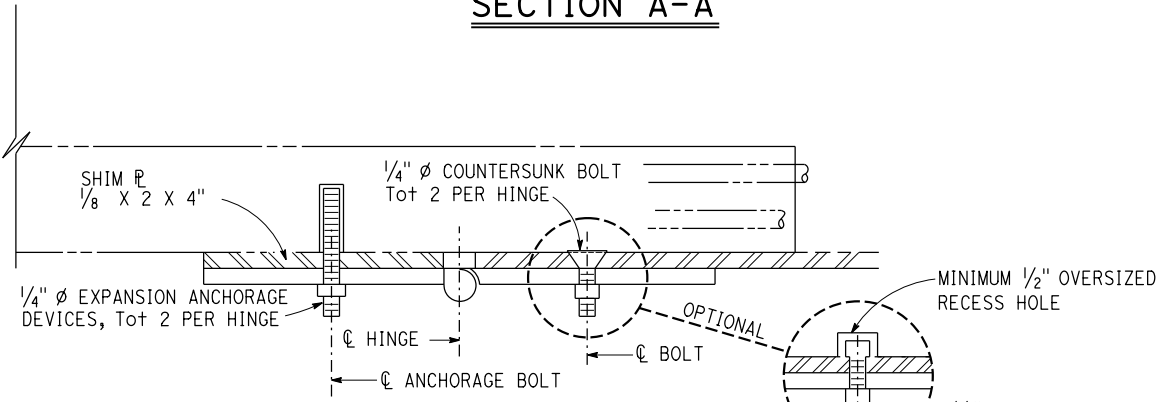
PLANS APPROVAL DATE _____

The State of California or its officers or agents shall not be responsible for the accuracy or completeness of scanned copies of this plan sheet.

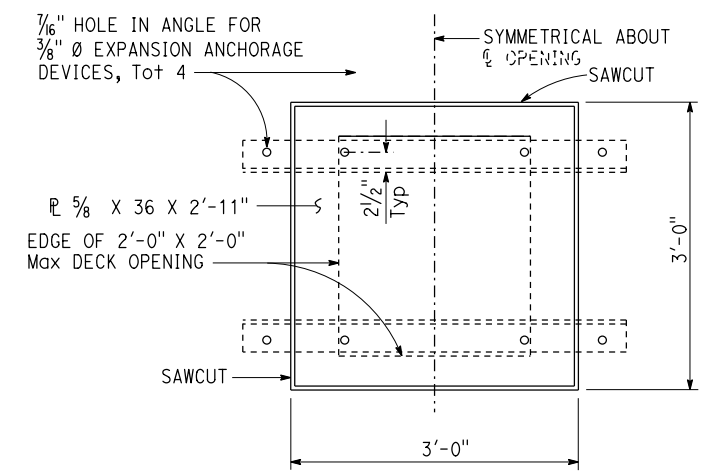
The Registered Civil Engineer for the project is responsible for the selection and proper application of the component design and any modifications shown.



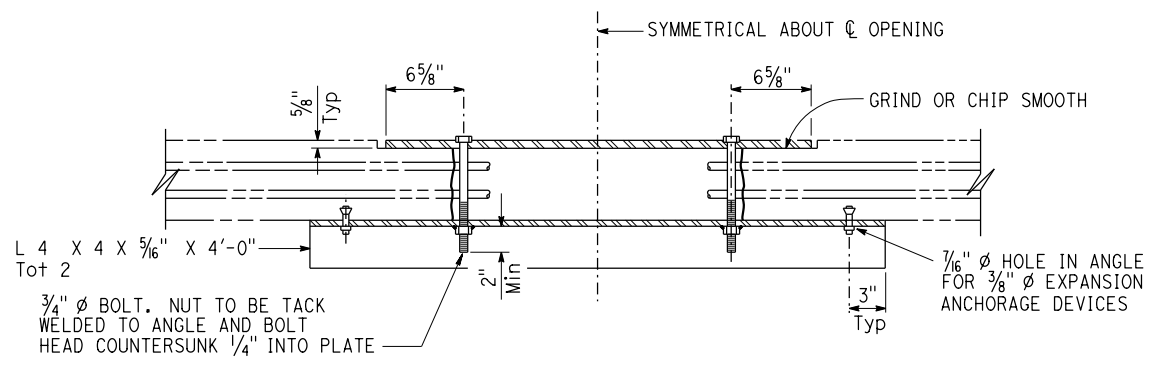
SECTION A-A



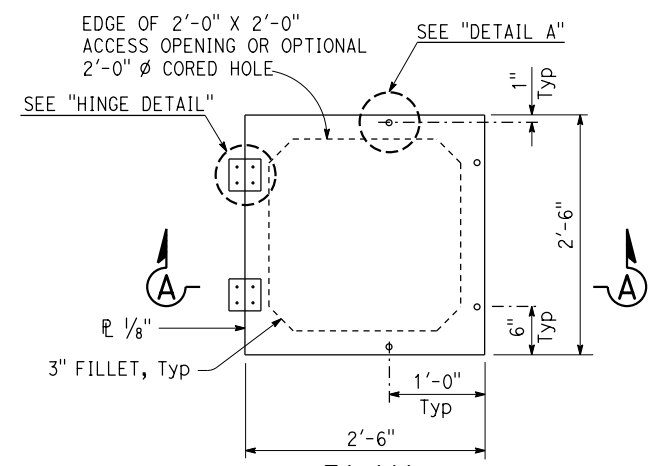
HINGE ANCHORAGE DETAIL



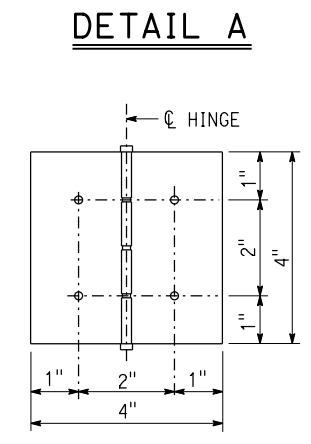
PLAN



TEMPORARY DECK COVER PLATE



PLAN

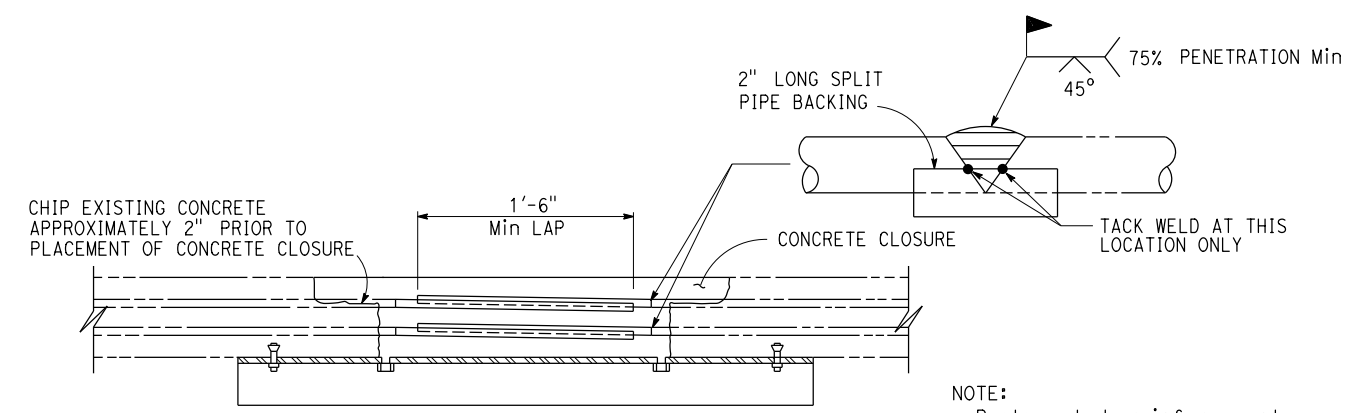


HINGE DETAIL

SOFFIT ACCESS DOOR ASSEMBLY

NOTE: SOFFIT ACCESS DOOR OPENING DIRECTION TO BE DETERMINED BY THE ENGINEER

- NOTES:
1. Non-removable pin in hinge
 2. Hinge assembly to be galvanized, brass or stainless steel
 3. Use thread locking system for all hinge nuts
 4. Hinge assembly to be minimum 1/8" thick



DECK CLOSURE

NOTE: Replace deck reinforcement. Butt weld to existing

NO SCALE