

NOTES:

- For additional disc spring details, see "CALIFORNIA ST-70SM SIDE MOUNTED BRIDGE RAIL DETAILS No. 2" sheet.
- For additional cable end details, see "CALIFORNIA ST-70SM SIDE MOUNTED BRIDGE RAIL DETAILS No. 3" sheet.

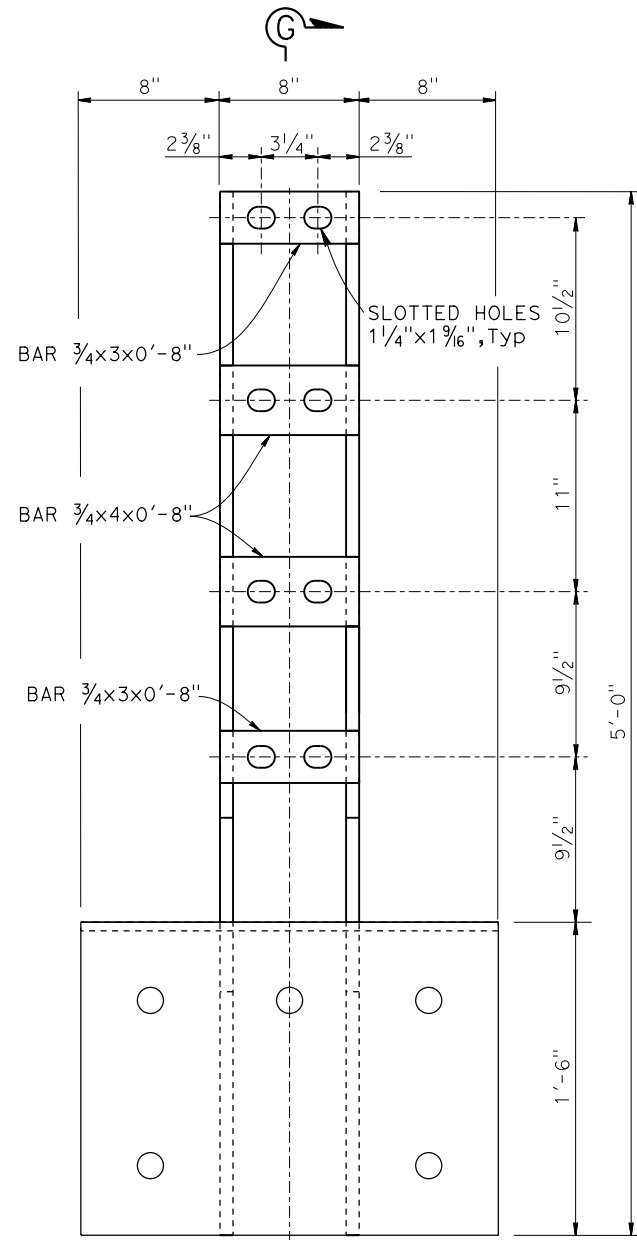
Dist	COUNTY	ROUTE	POST MILES TOTAL PROJECT	SHEET NO.	TOTAL SHEETS

REGISTERED CIVIL ENGINEER DATE X

PLANS APPROVAL DATE

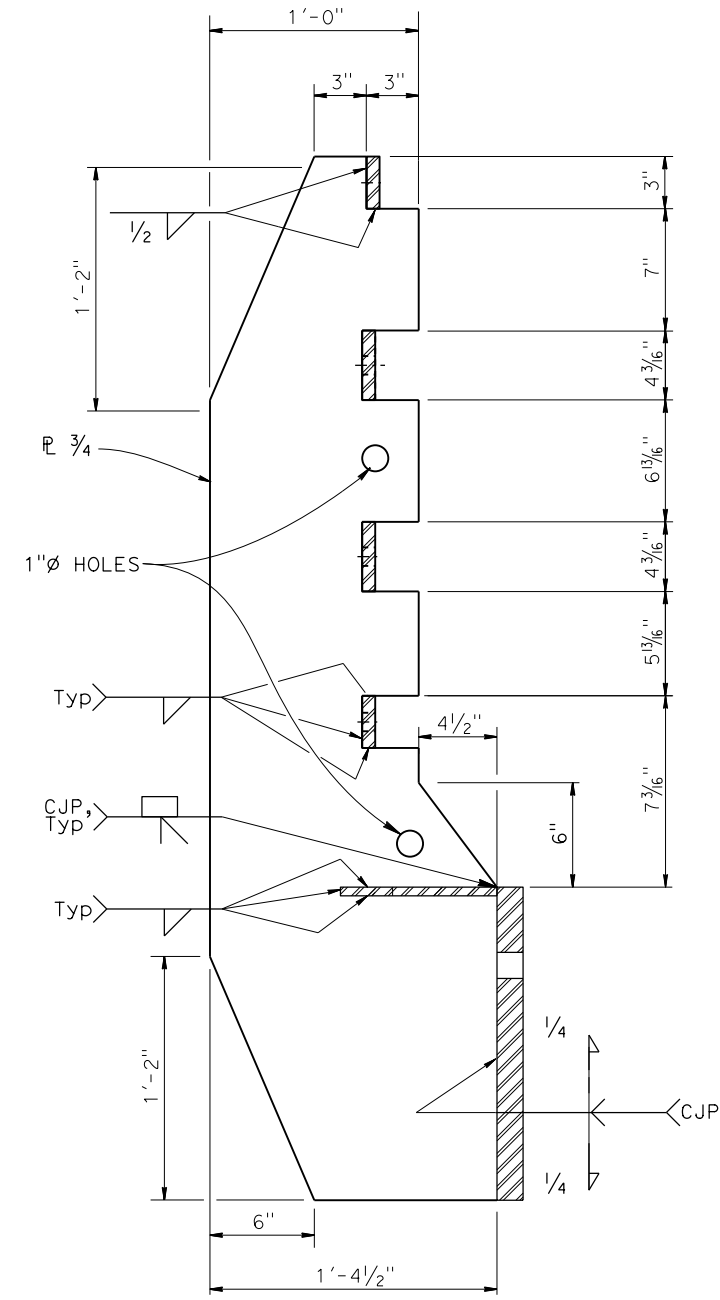
THE STATE OF CALIFORNIA OR ITS OFFICERS OR AGENTS SHALL NOT BE RESPONSIBLE FOR THE ACCURACY OR COMPLETENESS OF SCANNED COPIES OF THIS PLAN SHEET.

THE REGISTERED CIVIL ENGINEER FOR THE PROJECT IS RESPONSIBLE FOR THE SELECTION AND PROPER APPLICATION OF THE COMPONENT DESIGN AND ANY MODIFICATIONS SHOWN.

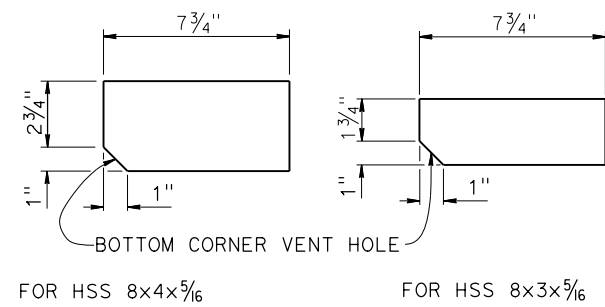


ELEVATION

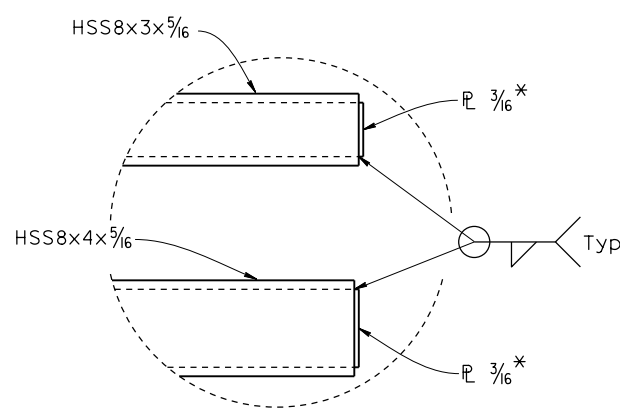
POST DETAILS



SECTION G-G

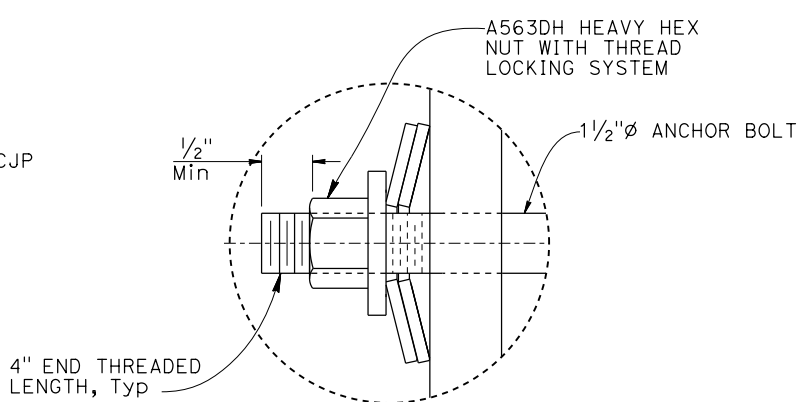


CAP PLATE DETAIL



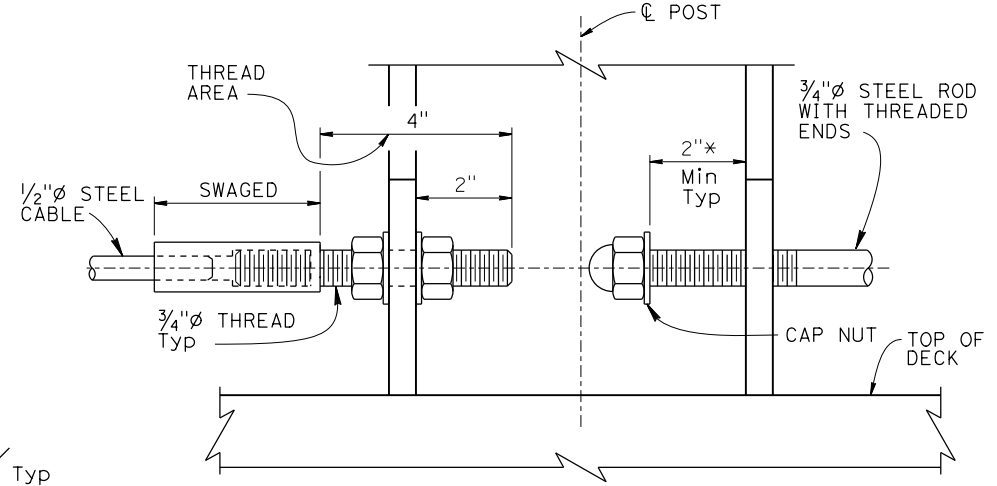
RAIL END DETAIL

* SEE "CAP PLATE DETAIL"



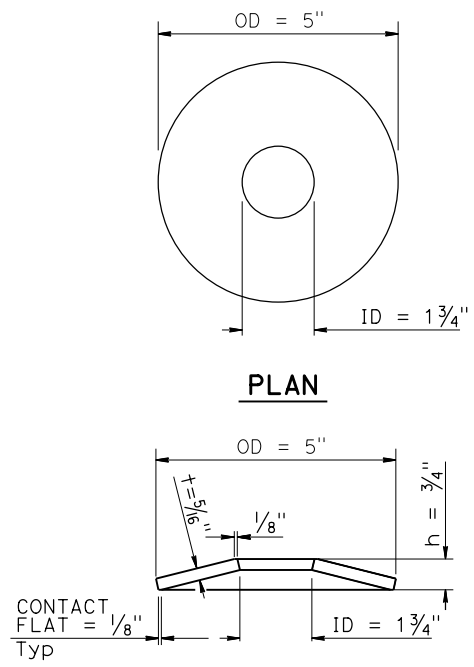
DETAIL X

NOTE: Disc springs shall be pretensioned to total 10,000 lbs.



* FOR DECK JOINT GAP > 4", GAP/2 AND OFFSET STEEL ROD HOLE BY 1" HORIZONTALLY TO THE BACK

CABLE END DETAIL



ELEVATION

DISK SPRING DETAIL

NO SCALE

BRIDGE STANDARD DETAILS			STATE OF CALIFORNIA			DIVISION OF ENGINEERING SERVICES			X				
xs16-115-4	April 2024	The components of the Bridge Standard Details have been prepared under the responsible charge of the Technical Owner, a registered civil engineer in the State of California.	DEPARTMENT OF TRANSPORTATION			CALIFORNIA ST-70SM SIDE MOUNTED BRIDGE RAIL DETAILS No. 4			CALIFORNIA ST-70SM SIDE MOUNTED BRIDGE RAIL DETAILS No. 4				
Refer to: http://www.dot.ca.gov/hq/esc/techpubs/manual/bridgemanuals/bridge-standard-detail-sheets/index.html	DATE PLOTTED => 22-APR-2024	TIME PLOTTED => 13:53	ORIGINAL SCALE IN INCHES FOR REDUCED PLANS	0	1	2	3	UNIT: XXXX	COUNTY/ROUTE/ZONE: XXX/XXX/X	DISREGARD PRINTS BEARING EARLIER REVISION DATES	REVISION DATES	SHEET	OF
FILE NO.	APPROVAL DATE							PROJECT NUMBER & PHASE: XXXXXXXXXX1	CONTRACT No.: XX-XXXXX4			X	X