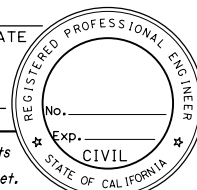
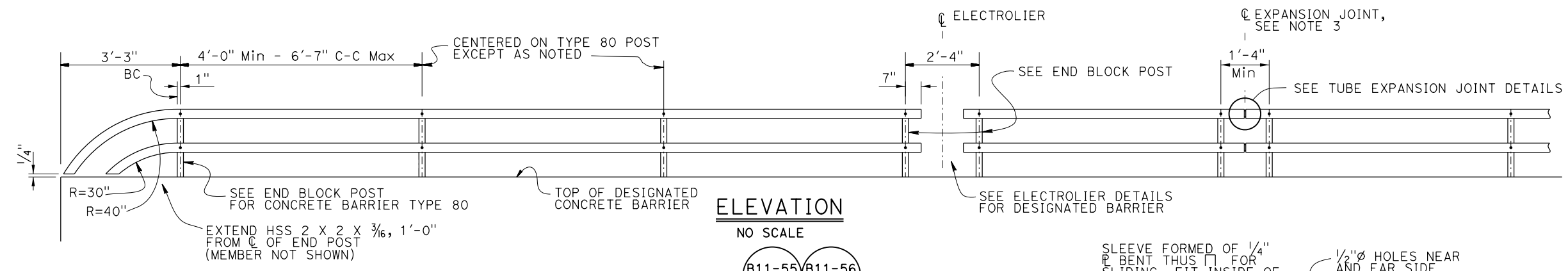
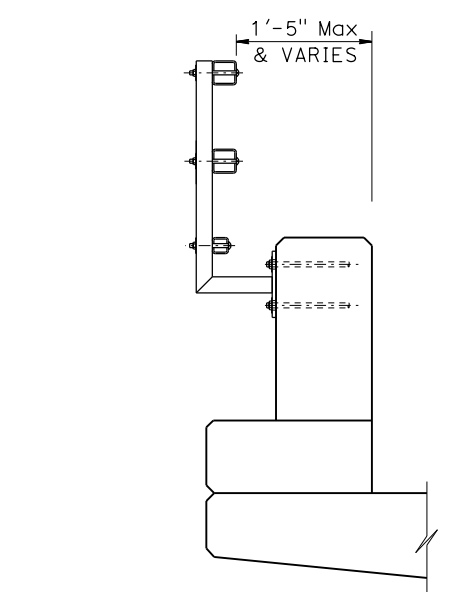


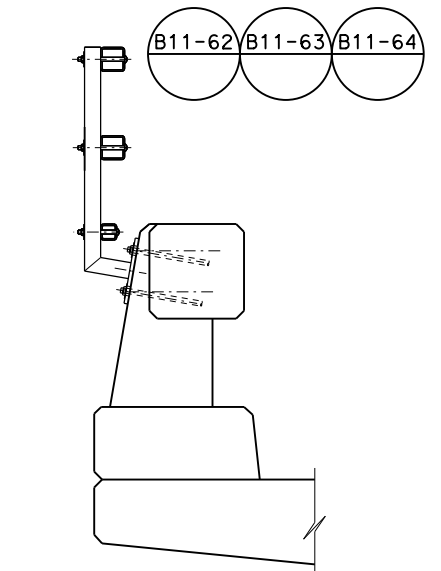
DIST	COUNTY	ROUTE	POST MILES TOTAL PROJECT	SHEET NO.	TOTAL SHEETS
REGISTERED CIVIL ENGINEER			DATE		
PLANS APPROVAL DATE					
<i>The State of California or its officers or agents shall not be responsible for the accuracy or completeness of scanned copies of this plan sheet.</i>					
<i>The Registered Civil Engineer for the project is responsible for the selection and proper application of the component design and any modifications shown.</i>					



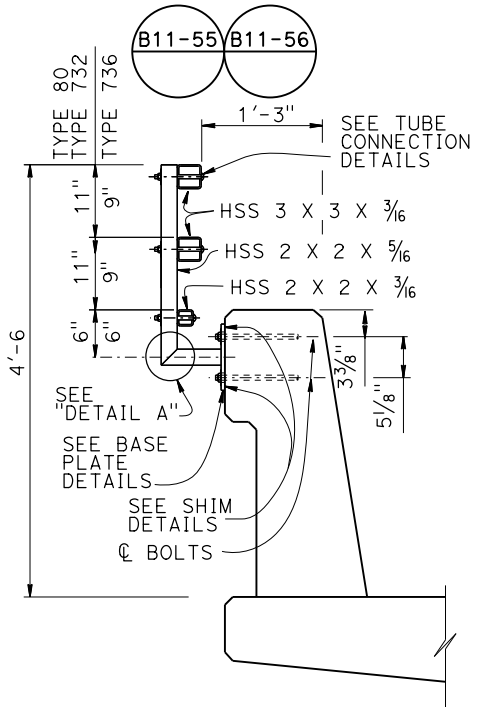
**ELEVATION**  
NO SCALE



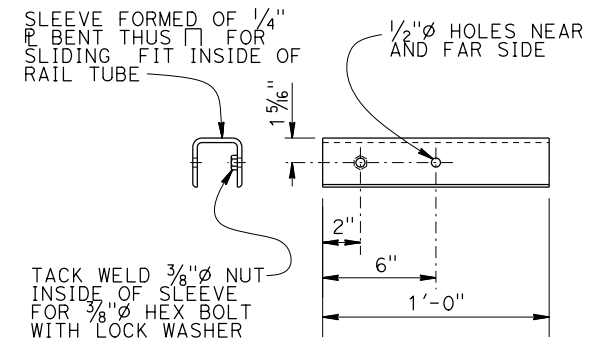
**TYPE 80 END BLOCK POST**  
1" = 1'-0"



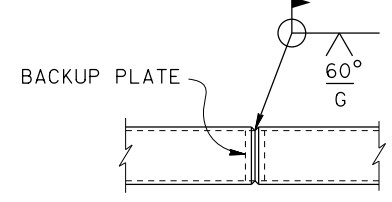
**TYPE 80**  
1" = 1'-0"



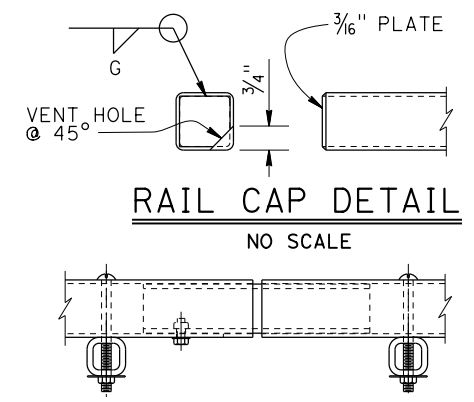
**TYPE 732 OR 736**  
1" = 1'-0"



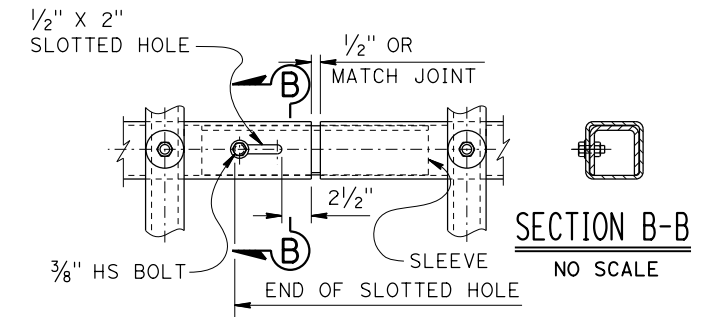
**SLEEVE DETAIL**  
NO SCALE



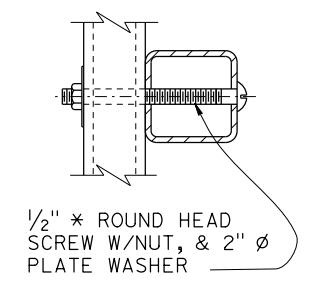
**WELDED SPLICE DETAIL**  
NO SCALE



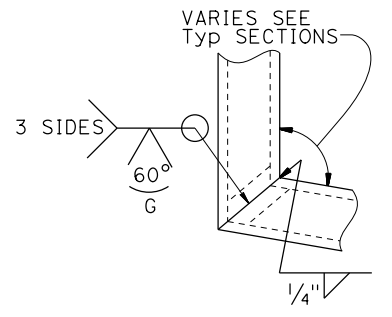
**RAIL CAP DETAIL**  
NO SCALE



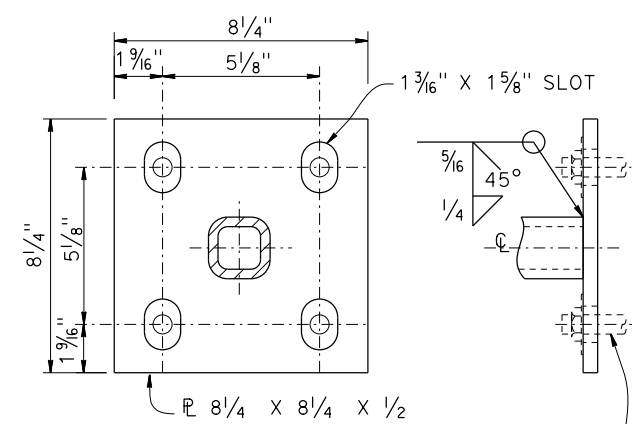
**TUBE EXPANSION JOINT DETAILS**  
NO SCALE



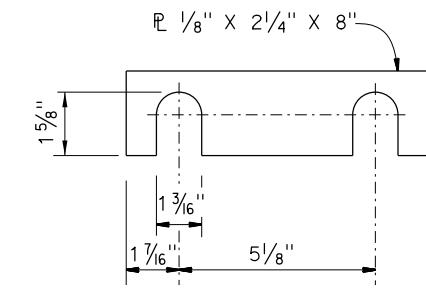
**TUBE CONNECTION DETAIL**  
NO SCALE



**DETAIL A**  
NO SCALE



**BASE PLATE DETAIL**  
NO SCALE



**SHIM DETAILS**  
NO SCALE

- NOTES:**
1. Post must be normal to railing.
  2. Rail tubes must be shop bent or fabricated to fit horizontal curve when radius is less than 950'.
  3. Tube expansion joints must be located in the tubes spanning deck or wall joints. Increase joint width in tubes to match expansion joint width and increase sleeve length correspondingly.
  4. Top rail tube must be continuous over not less than two posts except a short post spacing is permitted near deck or wall joints, electroliers, or other rail discontinuities as noted.
  5. See Project Plans for limits of tubular bicycle railing.

BRIDGE STANDARD DETAILS		The components of the Bridge Standard Details have been prepared under the responsible charge of the Technical Owner, a registered civil engineer in the State of California.	STATE OF CALIFORNIA DEPARTMENT OF TRANSPORTATION	DIVISION OF ENGINEERING SERVICES	BRIDGE NO.	<b>CONCRETE BARRIER TYPE 80, 732 &amp; 736</b> <b>TUBULAR BICYCLE RAILING DETAILS</b>
xs16-035 FILE NO.	October 2014 APPROVAL DATE				POST MILE	
Refer to: <a href="http://www.dot.ca.gov/hq/esc/techpubs/manual/bridgemanuals/bridge-standard-detail-sheets/index.html">http://www.dot.ca.gov/hq/esc/techpubs/manual/bridgemanuals/bridge-standard-detail-sheets/index.html</a>		FILE => xs16-035.dgn USERNAME => s136236	ORIGINAL SCALE IN INCHES FOR REDUCED PLANS 0 1 2 3	UNIT: PROJECT NUMBER & PHASE:	CONTRACT NO.:	DISREGARD PRINTS BEARING EARLIER REVISION DATES
		TIME PLOTTED => 11:53	DATE PLOTTED => 14-JUL-2016	REVISION DATES 8/17/12 10/1/14 7-14-16		SHEET OF