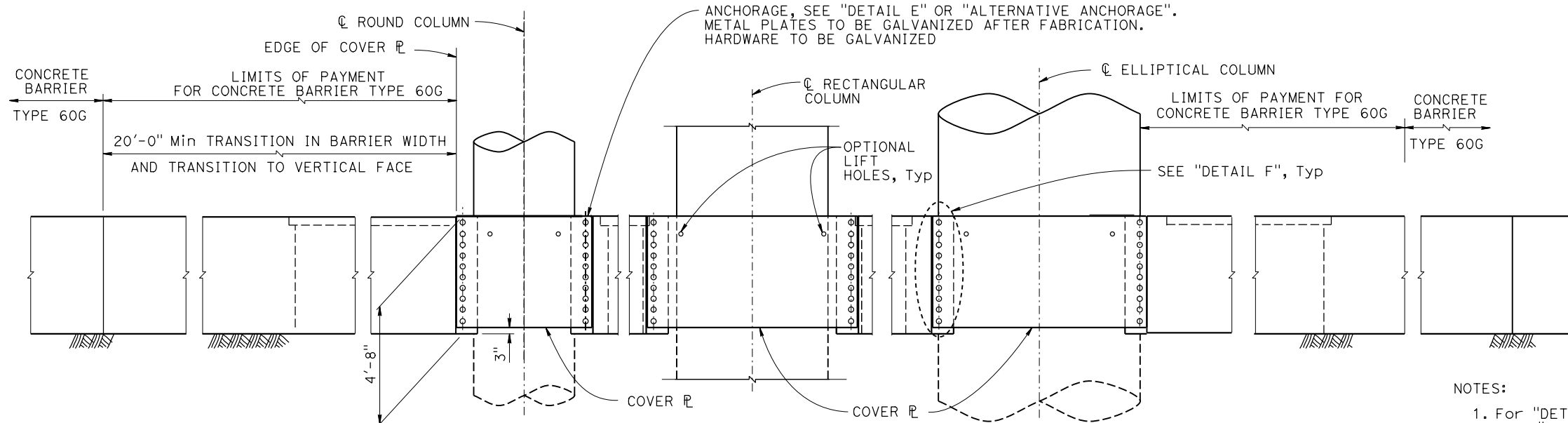
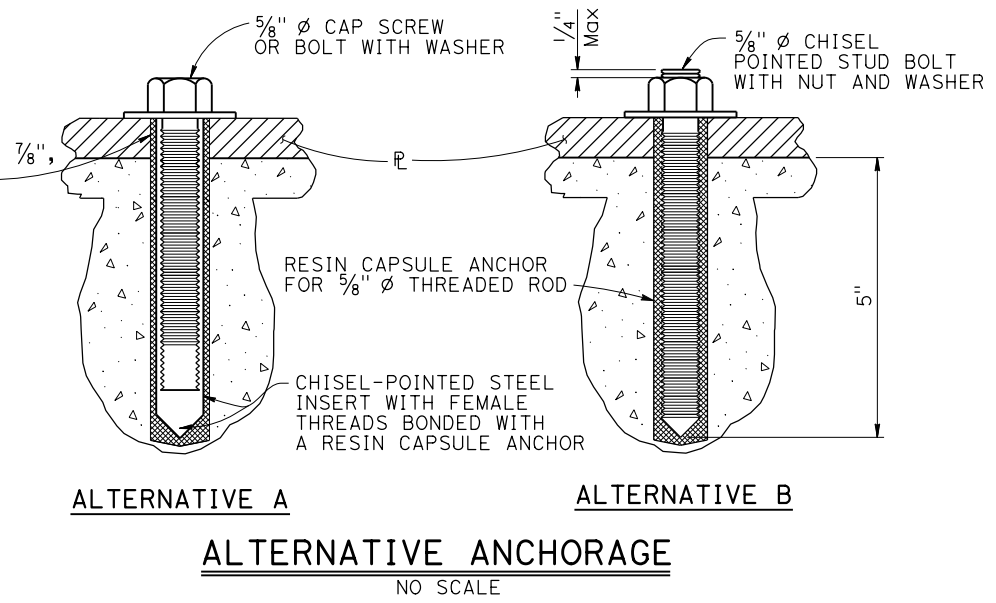
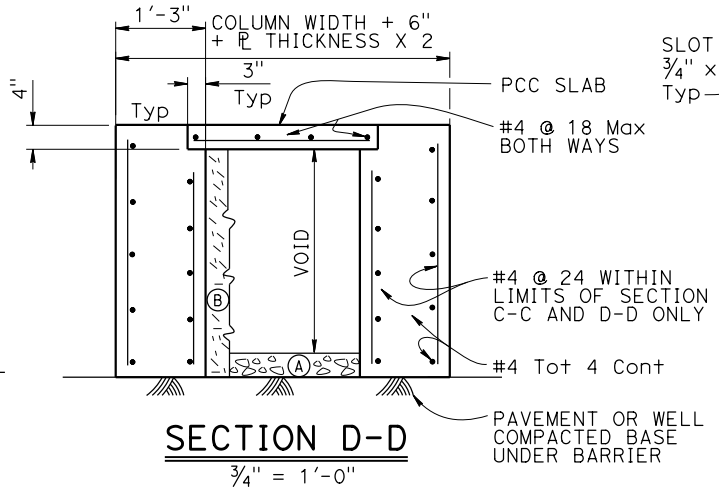
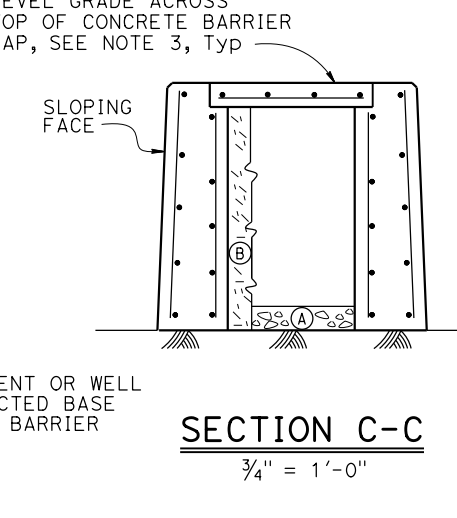
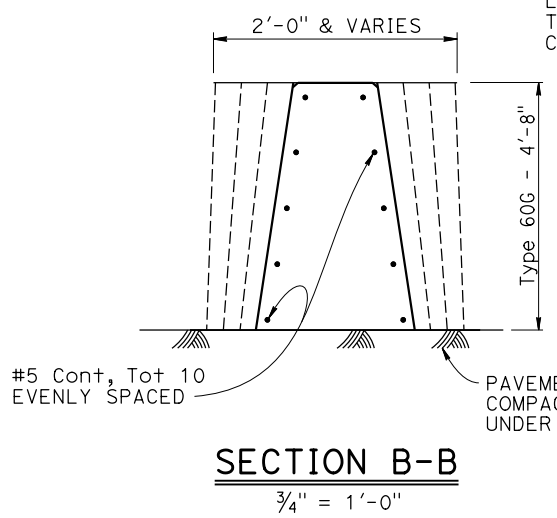
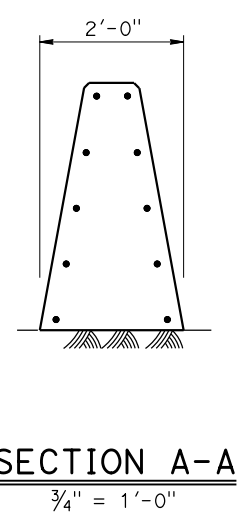
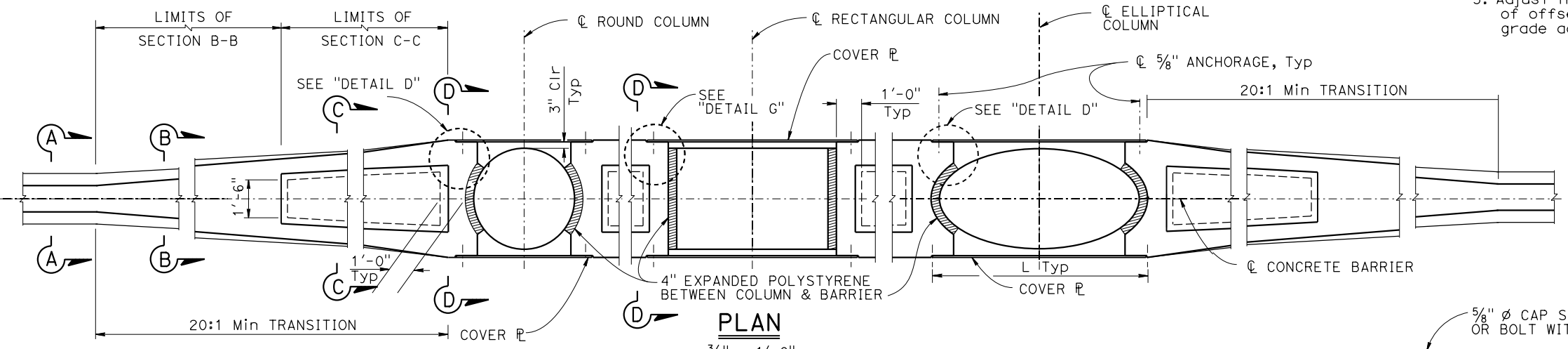


DIST.	COUNTY	ROUTE	POST MILES TOTAL PROJECT	SHEET No.	TOTAL SHEETS
REGISTERED CIVIL ENGINEER			DATE		
PLANS APPROVAL DATE			REGISTERED PROFESSIONAL ENGINEER		
			No. _____		
			Exp. _____		
			CIVIL		
			STATE OF CALIFORNIA		
The State of California or its officers or agents shall not be responsible for the accuracy or completeness of scanned copies of this plan sheet.					
The Registered Civil Engineer for the project is responsible for the selection and proper application of the component design and any modifications shown.					



- NOTES:
1. For "DETAIL D", "DETAIL F", "DETAIL G" and "TABLE 1" see "BARRIER-CONCRETE TYPE 60G, TRANSITION AT BRIDGE COLUMN - DETAILS NO. 2" sheet
 2. For cover plate length see "TABLE 1" on "TRANSITION AT BRIDGE COLUMN-DETAILS NO. 2" sheet
 3. Adjust height of concrete barriers wall on low side of offset or superelevated roadways to provide level grade across top of concrete barrier cap.



- NOTES:
1. Contractor options for fill between barrier walls
 (A) Place 4" PCC at base between barrier walls
 (B) Place granular material from base to bottom of 4" cap