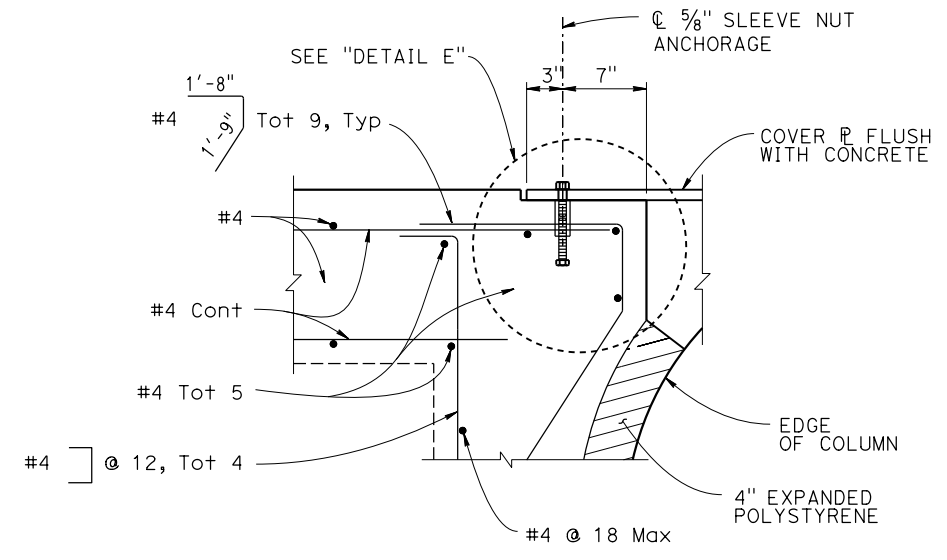
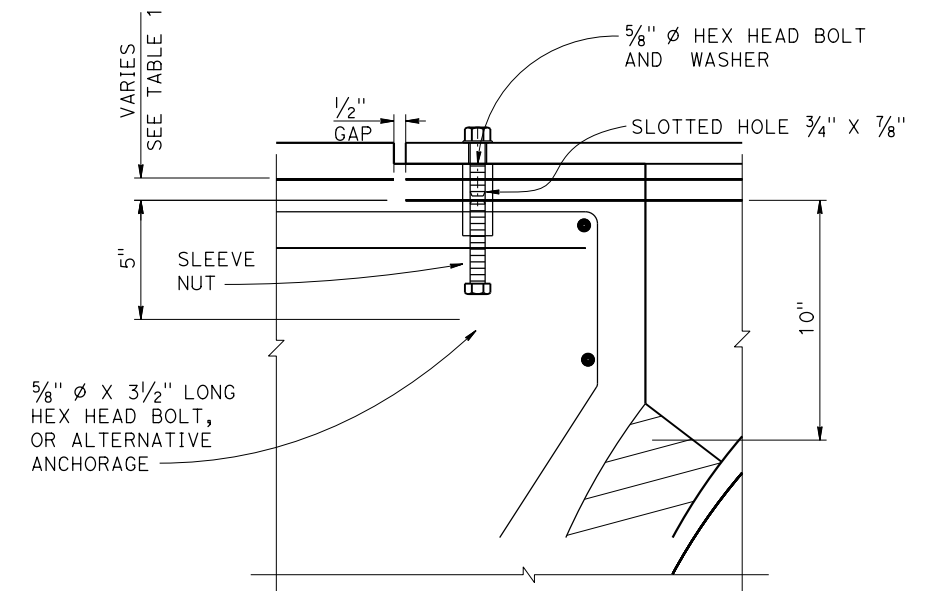


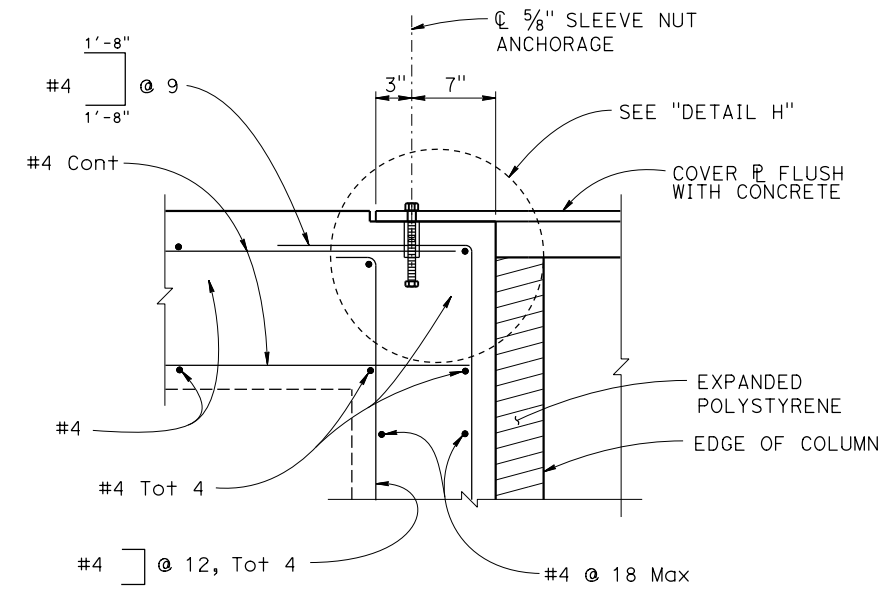
DETAIL F
1" = 1'-0"



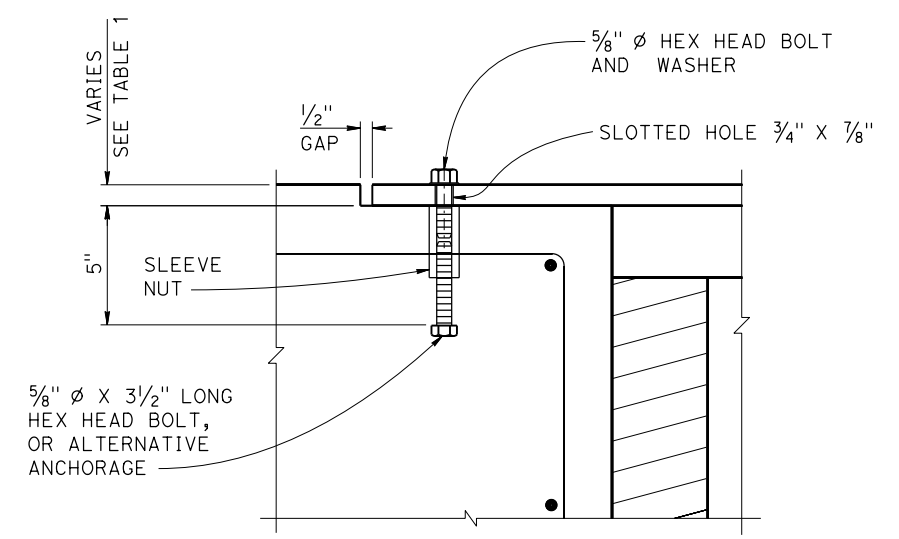
DETAIL D
1/2" = 1'-0"



DETAIL E
3" = 1'-0"



DETAIL G
1/2" = 1'-0"



DETAIL H
3" = 1'-0"

L (ft)	PLATE THICKNESS (in)	TOTAL No. OF BOLTS
8'-6" Max	7/8	10
6'-6" Max	1/2	7
4'-6" Max	7/16	5

NOTE:
Structural steel shall be ASTM A709/A709M Grade 50 unless otherwise noted.