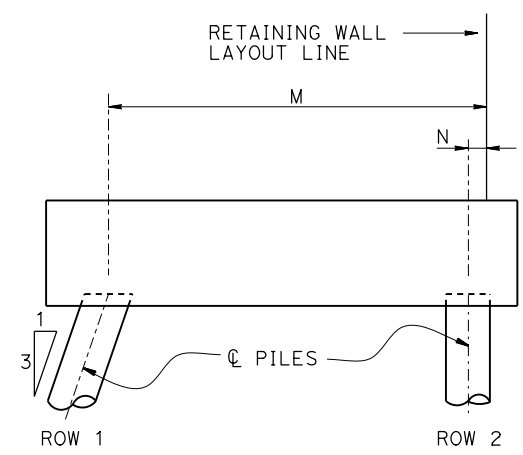
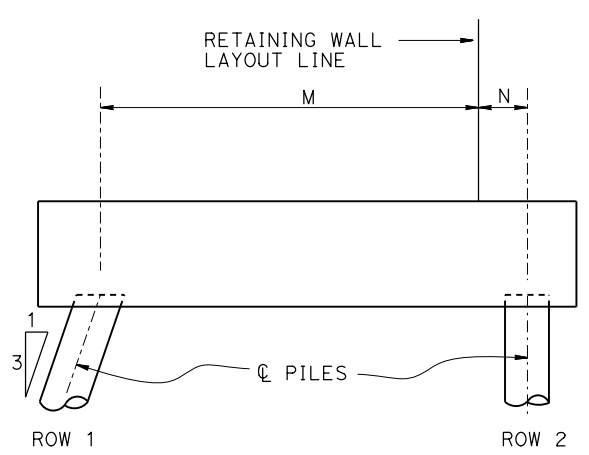


DESIGN H	8'	10'	12'	14'	16'	18'	20'	22'	24'	26'	28'	30'	32'
W	6'-6"	7'-3"	7'-9"	8'-0"	9'-0"	9'-3"	10'-3"	11'-3"	12'-3"	13'-0"	14'-3"	15'-3"	17'-0"
C	5'-3"	6'-0"	6'-3"	6'-6"	7'-3"	7'-3"	8'-0"	8'-6"	9'-6"	10'-0"	10'-10"	11'-6"	13'-2"
B	1'-3"	1'-3"	1'-6"	1'-6"	1'-9"	1'-9"	2'-3"	2'-9"	2'-9"	3'-0"	3'-5"	3'-9"	3'-10"
F	2'-6"	2'-6"	2'-9"	2'-9"	2'-9"	2'-9"	3'-0"	3'-0"	3'-3"	3'-6"	3'-9"	4'-0"	4'-3"
STEM THICKNESS AT TOP	1'-0"	1'-0"	1'-3"	1'-3"	1'-7"	1'-11"	2'-0"	2'-0"	2'-0"	2'-0"	2'-0"	2'-3"	2'-3"
BATTER	0	0	0	0	0	0	0	1/4:12	1/4:12	1/4:12	1/2:12	1/2:12	1/2:12
M	3'-9"	4'-6"	4'-9"	5'-0"	5'-9"	5'-9"	6'-6"	7'-0"	8'-0"	8'-6"	9'-4"	10'-0"	11'-8"
N	0'-3"	0'-3"	0'-0"	0'-0"	0'-3"	0'-6"	0'-9"	1'-3"	1'-3"	1'-6"	1'-11"	2'-3"	2'-4"
ROW 1 SPACING	12'-0"	12'-0"	10'-0"	9'-6"	8'-0"	7'-0"	6'-0"	4'-0"	4'-0"	4'-0"	4'-0"	3'-9"	4'-0"
ROW 2 SPACING	20'-0"	20'-0"	16'-0"	14'-0"	14'-0"	12'-0"	10'-0"	10'-0"	8'-0"	4'-0"	7'-6"	6'-6"	4'-0"
ROW 3 SPACING											6'-0"	5'-0"	4'-0"
⊙ BARS					#5 @ 14	#6 @ 14	#6 @ 13	#6 @ 13	#6 @ 11	#7 @ 12	#7 @ 11	#7 @ 10	#8 @ 11
⊖ BARS	#5 @ 6	#5 @ 5.5	#5 @ 4.5	#6 @ 5	#8 @ 7	#9 @ 7	#9 @ 6.5	#9 @ 6.5	#9 @ 5.5	#10 @ 6	#10 @ 11	#10 @ 10	#11 @ 11
ha	7'-10"	9'-10"	6'-0"	6'-0"	6'-3"	7'-3"	7'-6"	9'-0"	9'-9"	10'-6"	11'-3"	12'-0"	14'-0"
hb					12'-0"	11'-9"	13'-0"	14'-6"	15'-6"	18'-6"	20'-6"	21'-6"	23'-0"
hx	5'-0"	5'-9"	6'-0"	6'-3"	7'-0"	7'-0"	7'-9"	8'-3"	8'-9"	9'-6"	10'-7"	10'-6"	12'-11"
⊙ BARS	#5 @ 12	#5 @ 11	#5 @ 9	#5 @ 10	#5 @ 14	#5 @ 14	#5 @ 13	#5 @ 13	#5 @ 11	#5 @ 12	#5 @ 11	#5 @ 10	#5 @ 11
⊙ BAR LENGTH	3'-6"	4'-6"	4'-6"	6'-0"	7'-0"	7'-0"	7'-9"	10'-9"	11'-9"	12'-6"	13'-9"	14'-9"	16'-6"
⊙ BARS											#4 @ 11	#4 @ 10	#4 @ 11
⊙ bar	#4 @ 12	#4 @ 12	#5 @ 15	#5 @ 15	#5 @ 12	#5 @ 12	#6 @ 12	#6 @ 12	#6 @ 12	#6 @ 12	#6 @ 12	#7 @ 12	#7 @ 12
⊙ bar	#4 @ 18	#4 @ 18	#4 @ 18	#4 @ 18	#4 @ 12	#4 @ 12	#4 @ 12	#4 @ 12	#4 @ 12	#5 @ 12	#5 @ 12	#5 @ 12	#5 @ 12
H _b (k/ft), SVC	2.6	3.3	4.2	5.1	6.2	7.4	9.0	10.4	12.5	14.5	17.0	19.3	21.8
H _b (k/ft), Str	4.1	5.2	6.6	8.0	9.4	11.1	13.4	16.0	18.8	21.8	25.6	29.1	32.8
H _b (k/ft), ext	5.0	6.5	8.6	10.5	13.0	15.7	19.0	22.5	26.3	30.5	35.7	41.0	46.5

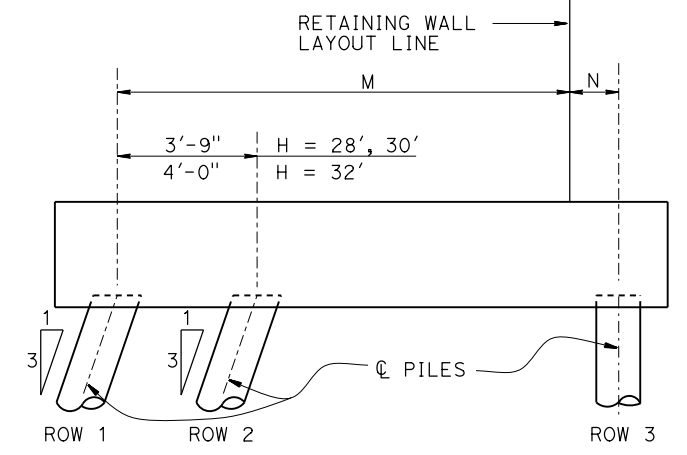
LEGEND:
 Ø : 2 bar bundle
 H_b : Factored Horizontal Driving Force
 SVC : Service Limit State
 Str : Strength Limit State
 ext : Extreme Event Limit State



H = 8' THROUGH 14'



H = 16' THROUGH 26'



H = ≥ 28'

PILE PATTERN
 No Scale