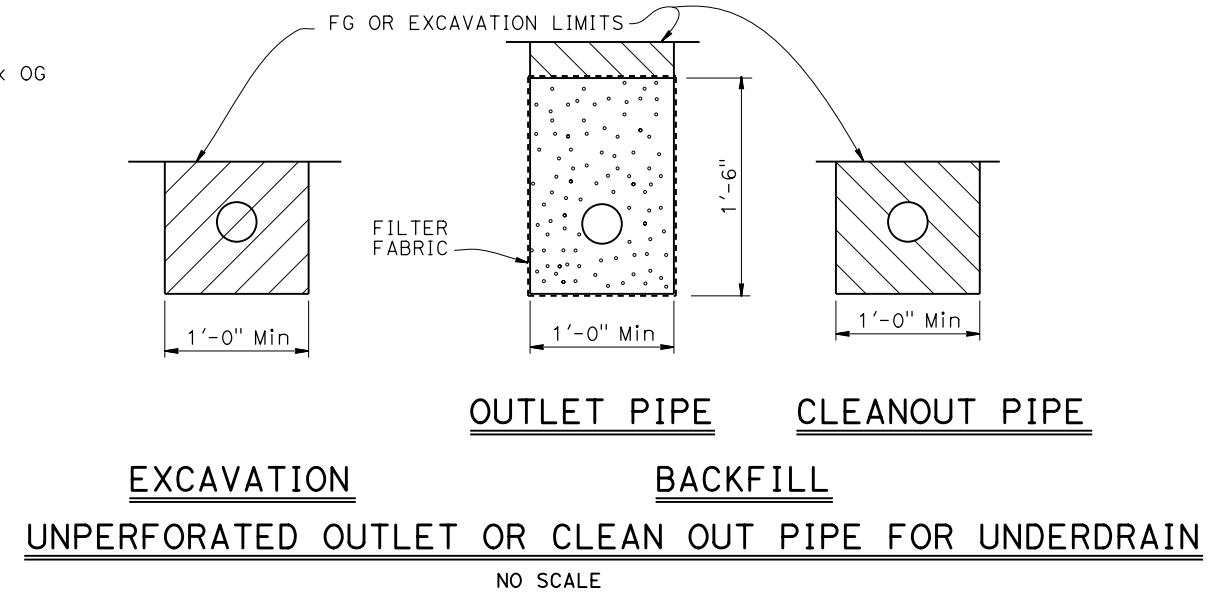


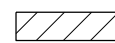

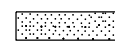
LIMITS OF EXCAVATION
1/2" = 1'-0"

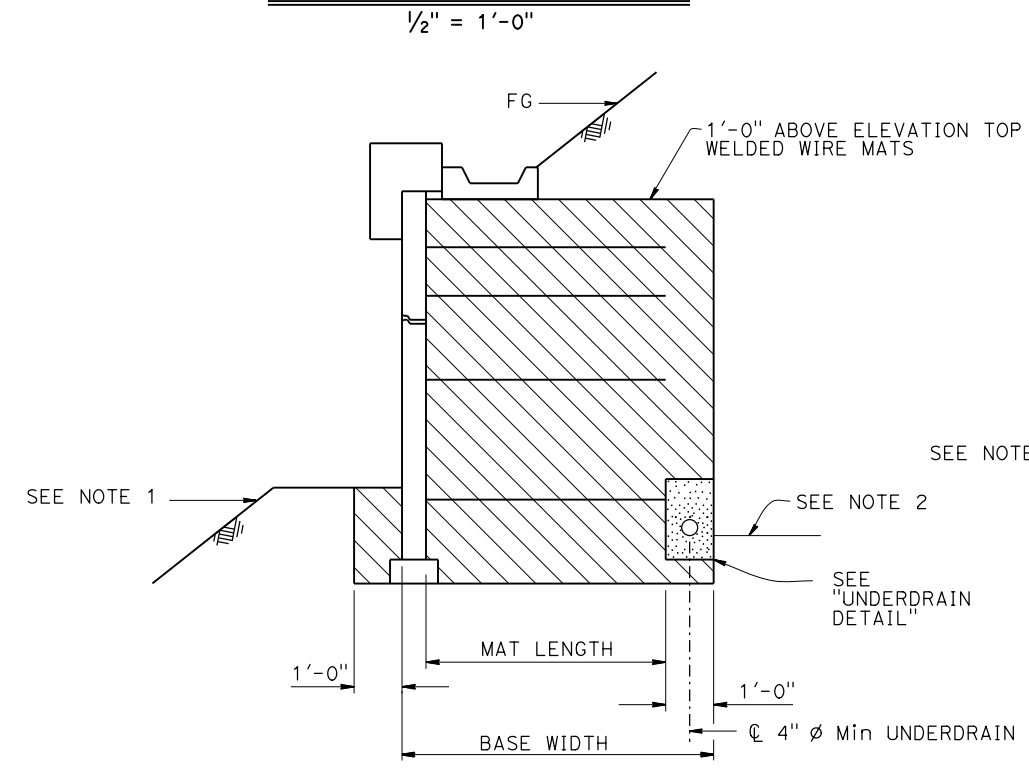


NOTES:

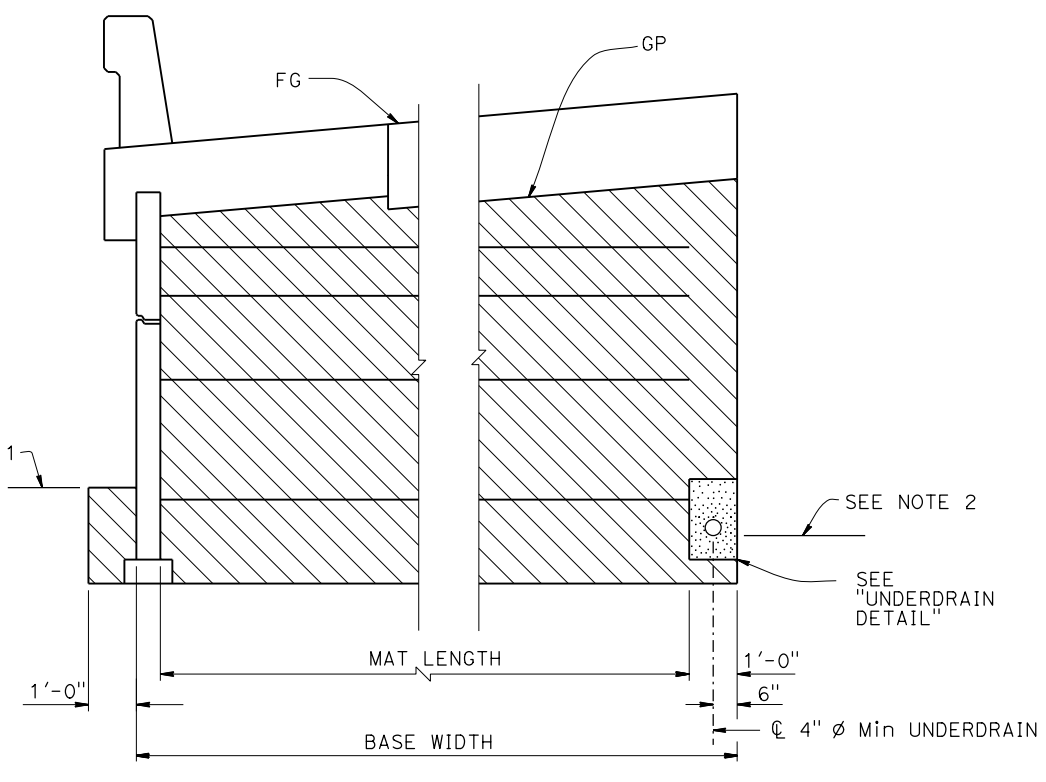
- Limits to FG except to GP when in roadway section
- Locate underdrain behind bottom level of welded wire mats wherever possible, or at elevation needed to drain, as shown elsewhere on plans
- Place perforated pipe underdrain of diameter shown elsewhere on plans or minimum 4" ϕ smoothed wall PVC or minimum 8" ϕ corrugated HDPE
- Maximum spacing of outlet pipe is 200 feet
- At sags in profile of underdrain, install outlet pipe for each direction of flow

LEGEND:

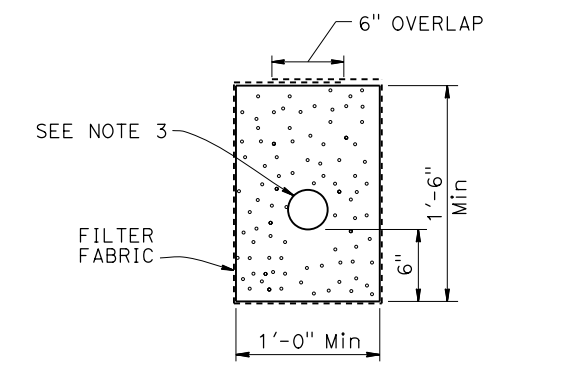
-  Limits of Structure Excavation
-  Limits of Structure Backfill
-  Limits of Permeable Material



SLOPING FINISHED SURFACE
1/2" = 1'-0"



ROADWAY SECTION
1/2" = 1'-0"



UNDERDRAIN DETAIL

LIMITS OF BACKFILL