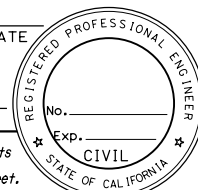
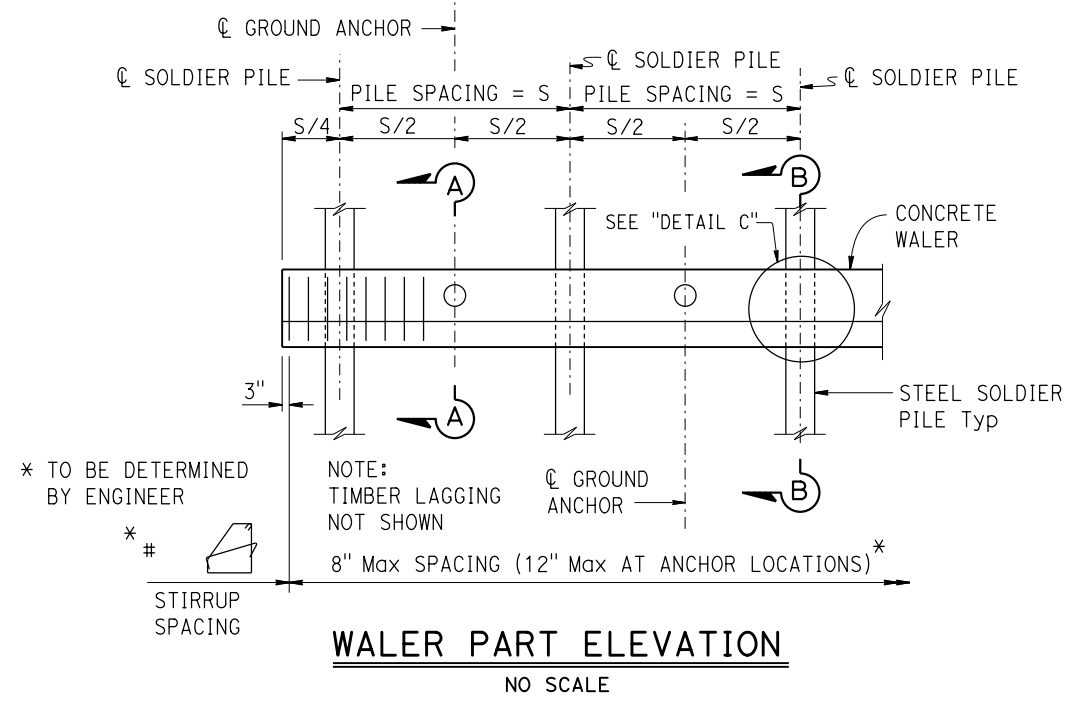
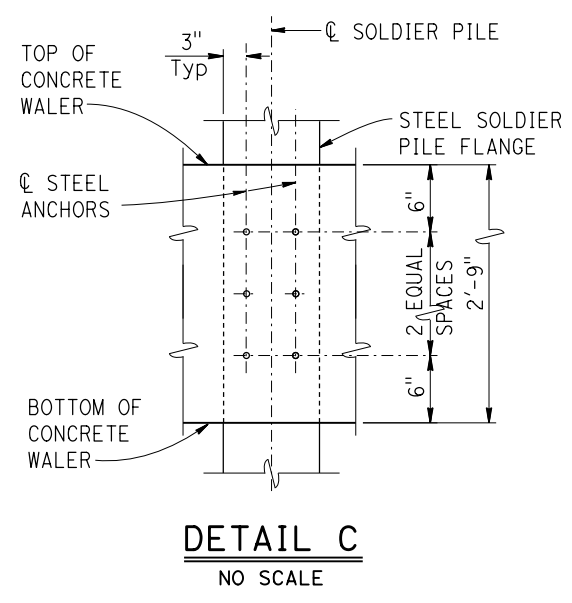


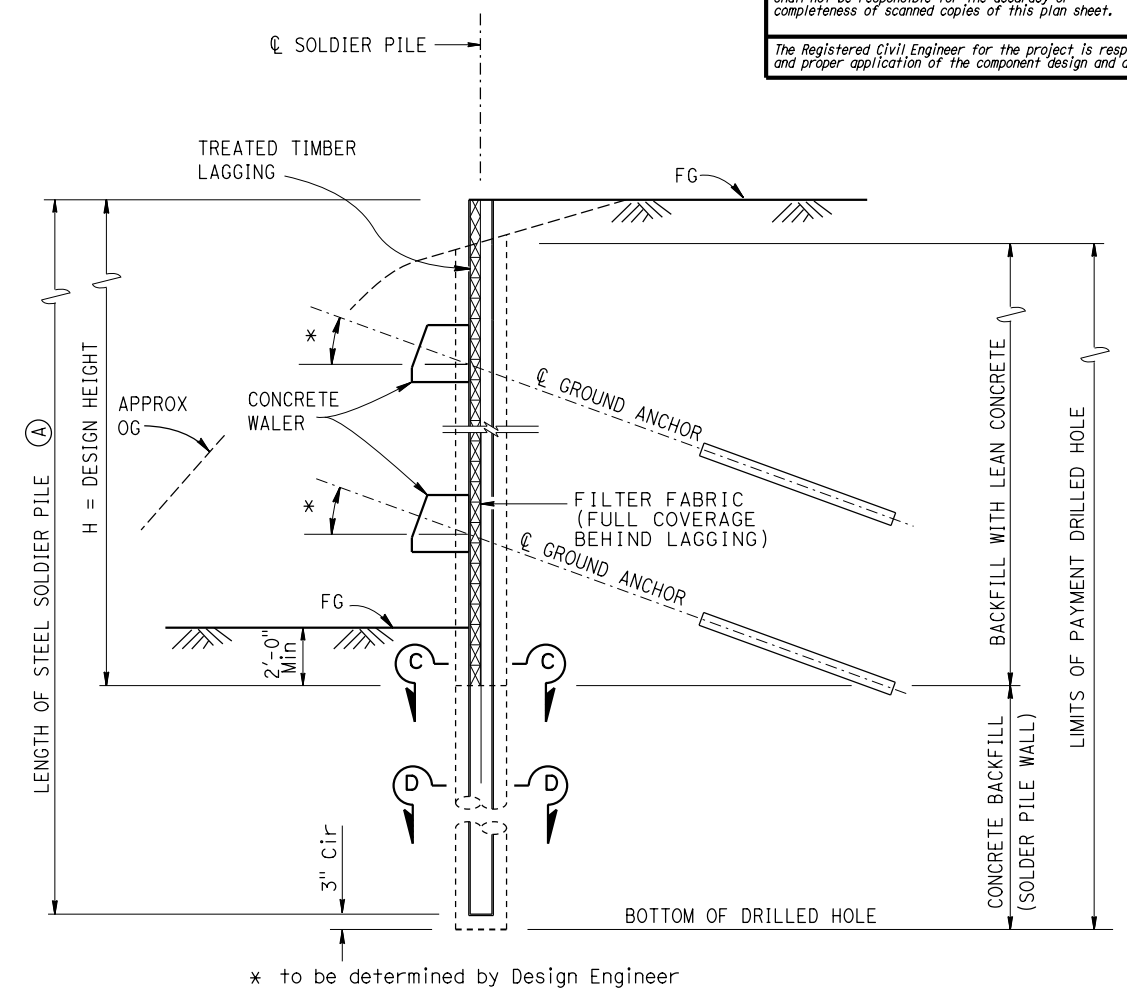
DIST	COUNTY	ROUTE	POST MILES TOTAL PROJECT	SHEET No.	TOTAL SHEETS
REGISTERED CIVIL ENGINEER			DATE		
PLANS APPROVAL DATE					
<small>The State of California or its officers or agents shall not be responsible for the accuracy or completeness of scanned copies of this plan sheet.</small>					
<small>The Registered Civil Engineer for the project is responsible for the selection and proper application of the component design and any modifications shown.</small>					



WALER PART ELEVATION
NO SCALE

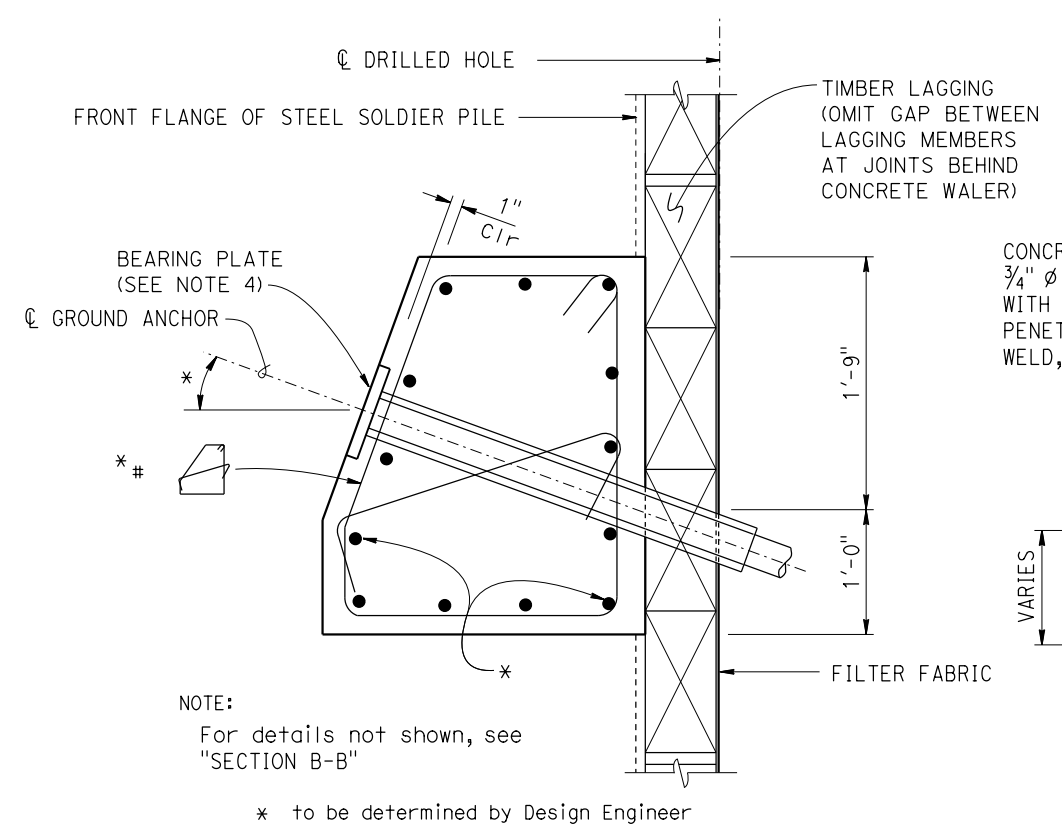


DETAIL C
NO SCALE

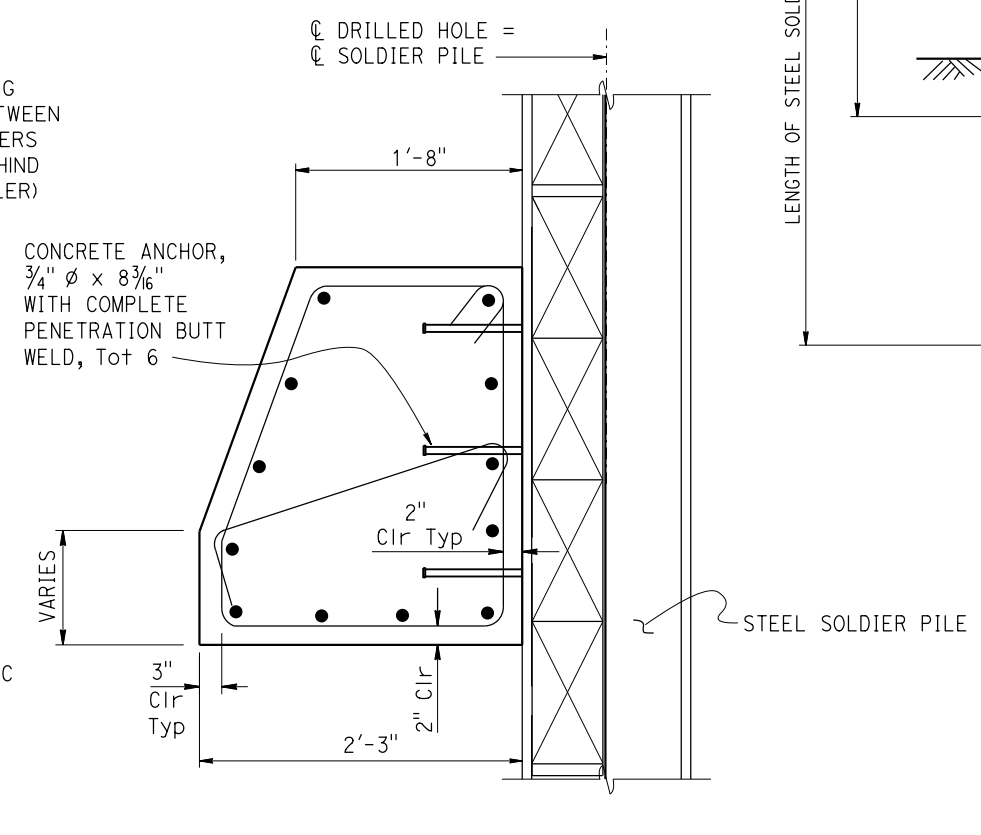


TYPICAL SECTION
NO SCALE

- NOTES:
1. For bottom of concrete waler elevation, see "PROJECT PLANS".
 2. Concrete walers may be poured to face of lagging.
 3. For "SECTION C-C" and "SECTION D-D", see "SOLDIER PILE WALL WITH WALERS" "DETAILS No. 2" sheet.
 4. Bearing plates may be recessed or on face of concrete waler.
- (A) Clean and paint Steel Soldier Pile from top of pile to 5 feet Min below bottom of lagging.



SECTION A-A
1/2" = 1'-0"



SECTION B-B
1/2" = 1'-0"