

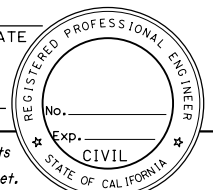
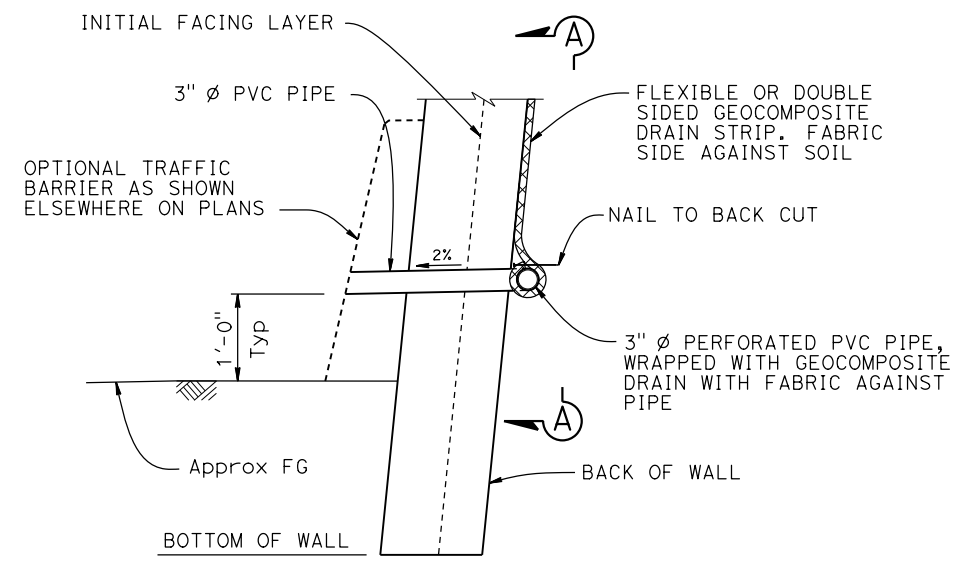
DIST.	COUNTY	ROUTE	POST MILES TOTAL PROJECT	SHEET No.	TOTAL SHEETS

REGISTERED CIVIL ENGINEER DATE _____

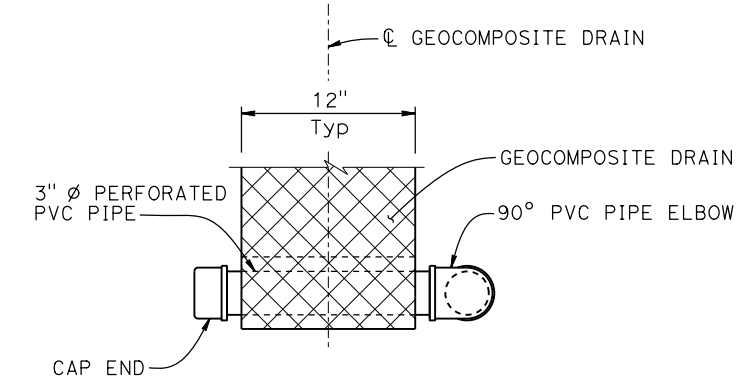
PLANS APPROVAL DATE _____

The State of California or its officers or agents shall not be responsible for the accuracy or completeness of scanned copies of this plan sheet.

The Registered Civil Engineer for the project is responsible for the selection and proper application of the component design and any modifications shown.

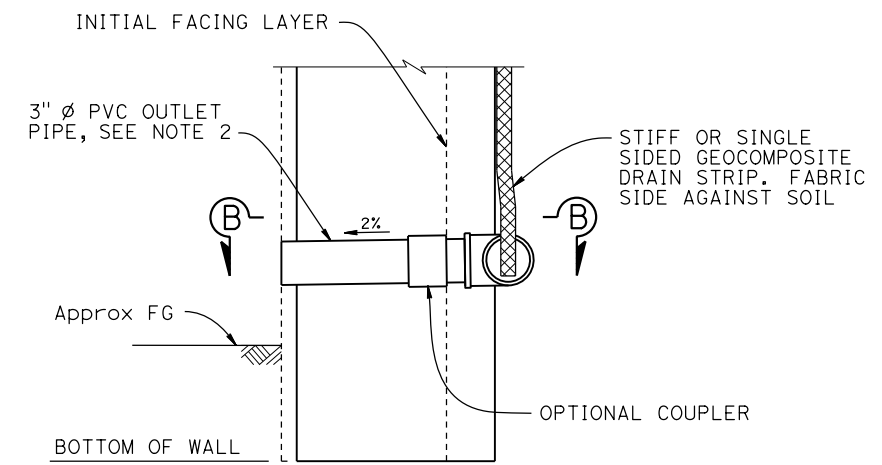



WALL DRAIN DETAIL AT WEEPHOLE
OPTION A
No scale

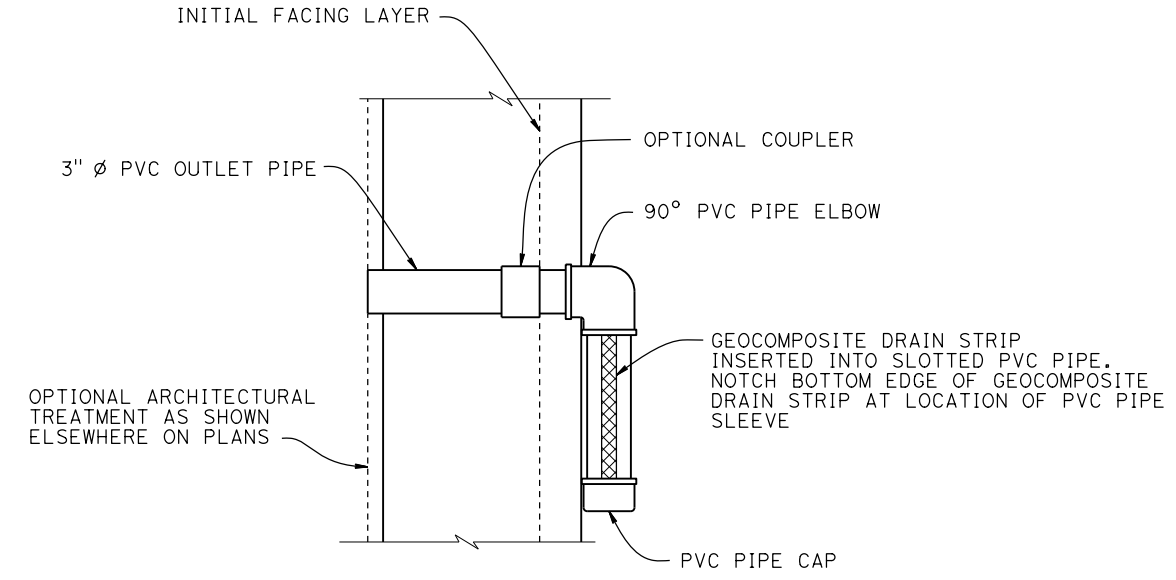


VIEW A-A
No scale

- NOTES:
1. Geocomposite drain strip per Section 88 Geosynthetics of the Standard Specifications
 2. Elevation of drains and weepholes as shown elsewhere on plans



WALL DRAIN DETAIL AT WEEPHOLE
OPTION B
No scale



SECTION B-B
No Scale