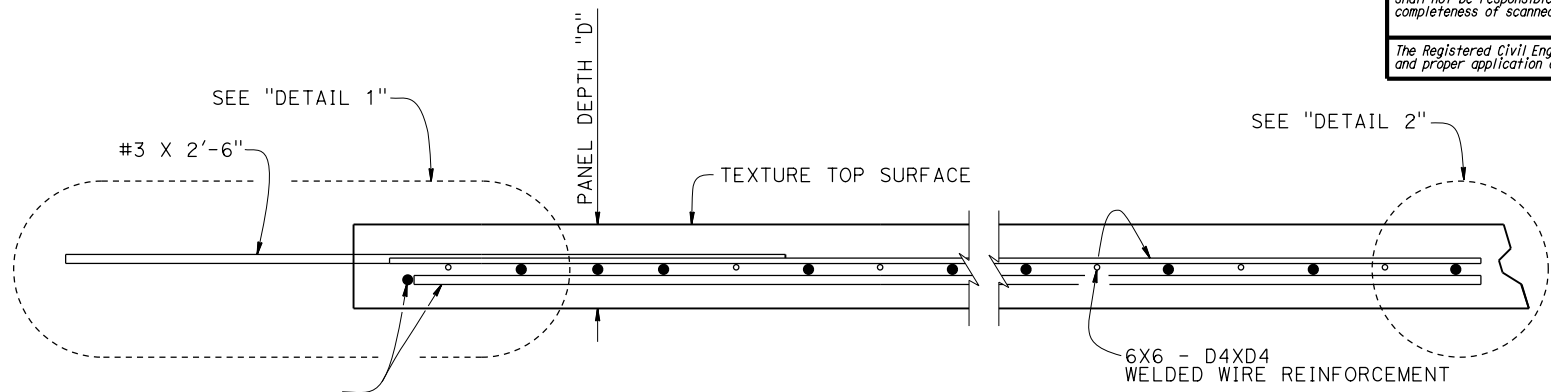
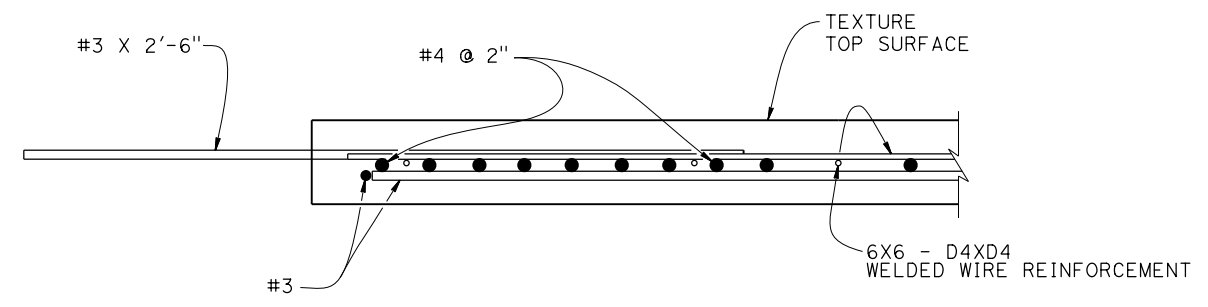


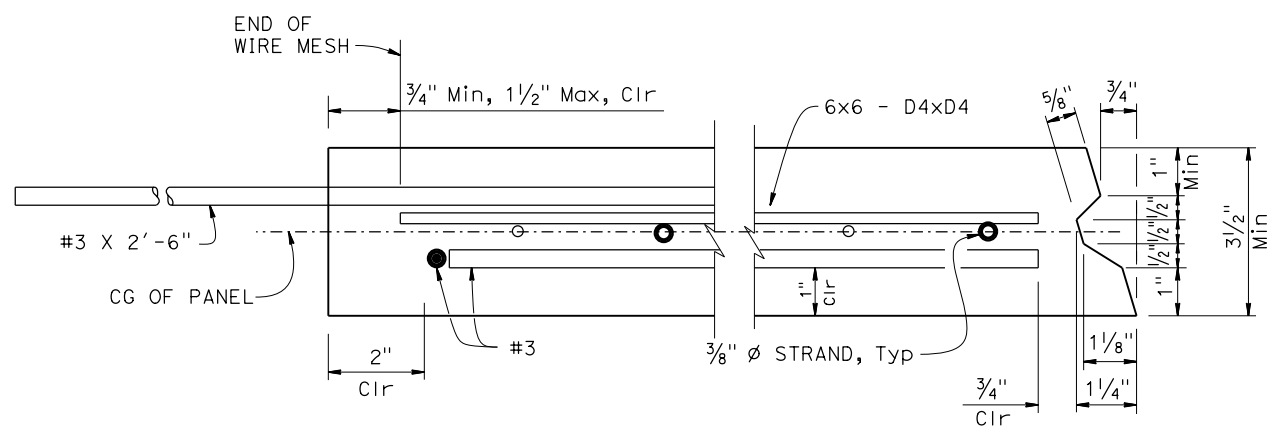
PLAN - TYPE 2 (SKEWED PANEL)
3/4" = 1'-0"



SECTION B-B
3" = 1'-0"

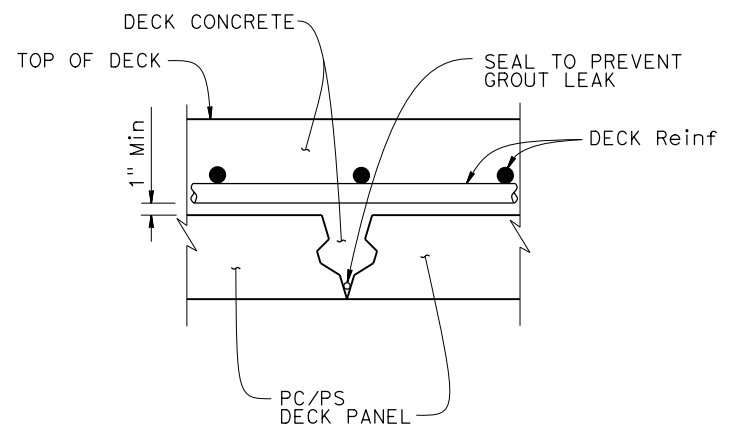


SECTION C-C
3" = 1'-0"



DETAIL 1
6" = 1'-0"

DETAIL 2
6" = 1'-0"



SECTION AT DECK PANEL JOINT
6" = 1'-0"