



# Bridge Design Details 2H October 2019

## Develop Horizontal Alignment Stations

Examples:

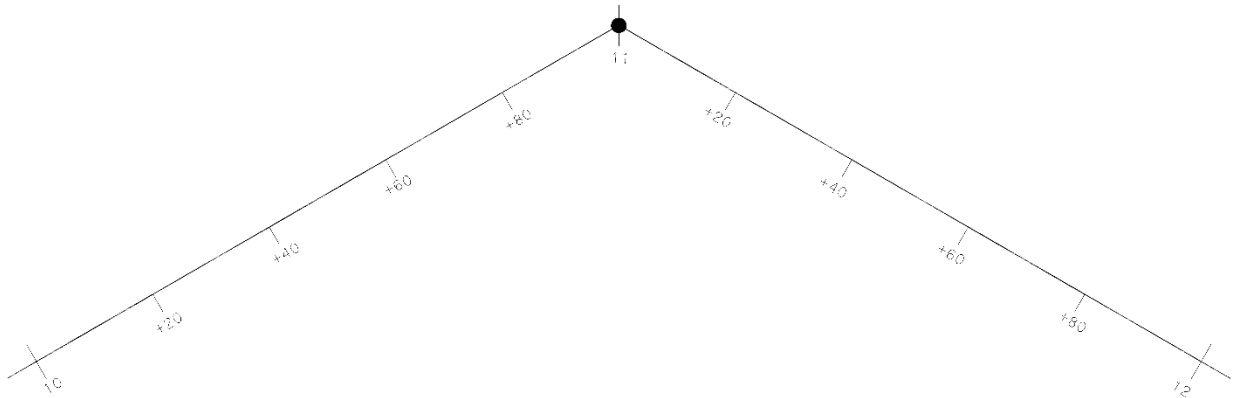


Figure 2A.H.1 Alignment Stationing without Horizontal Curve

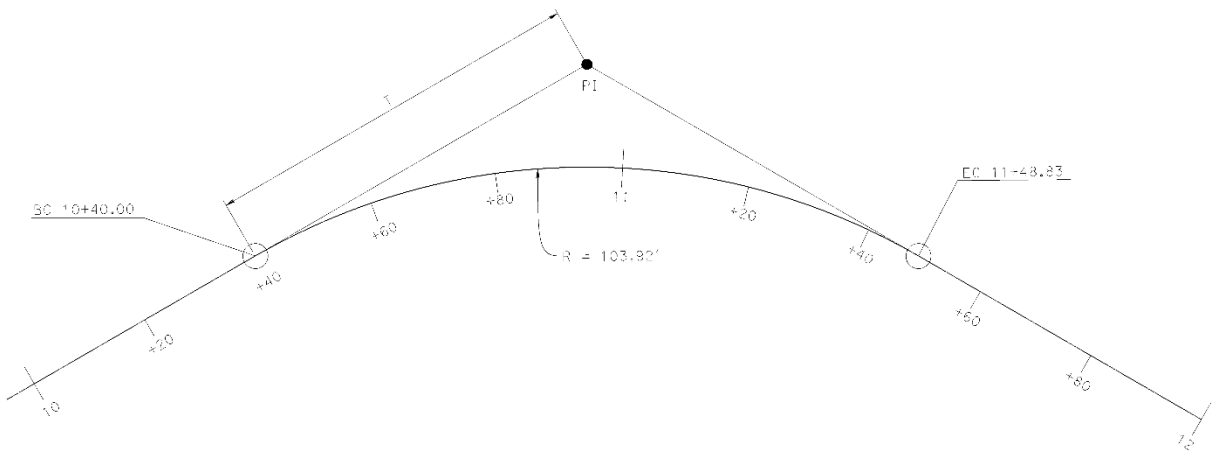


Figure 2A.H.2 Revised Alignment Stationing with Horizontal Curve