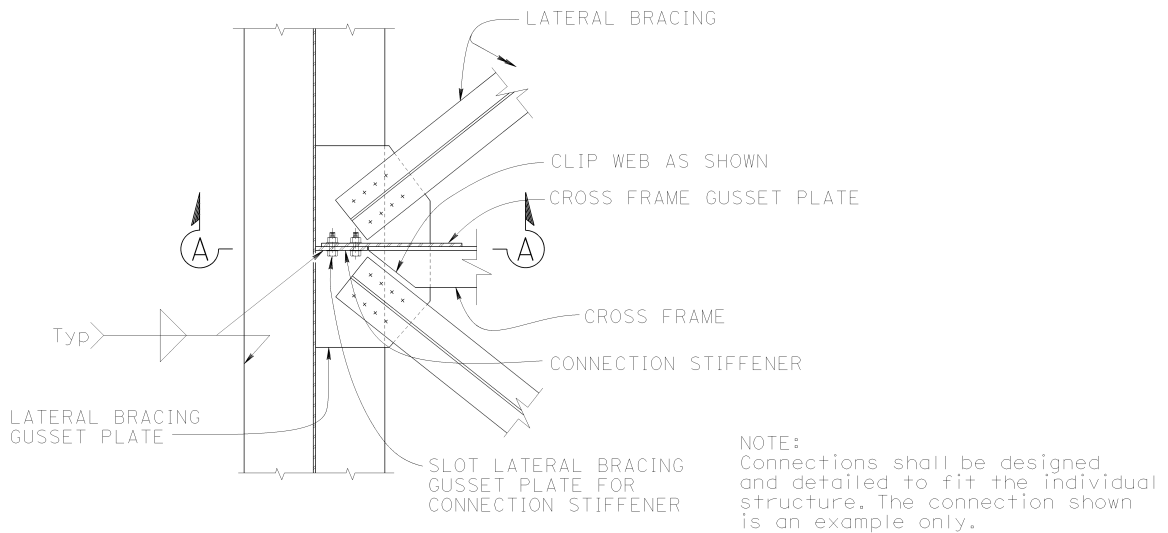


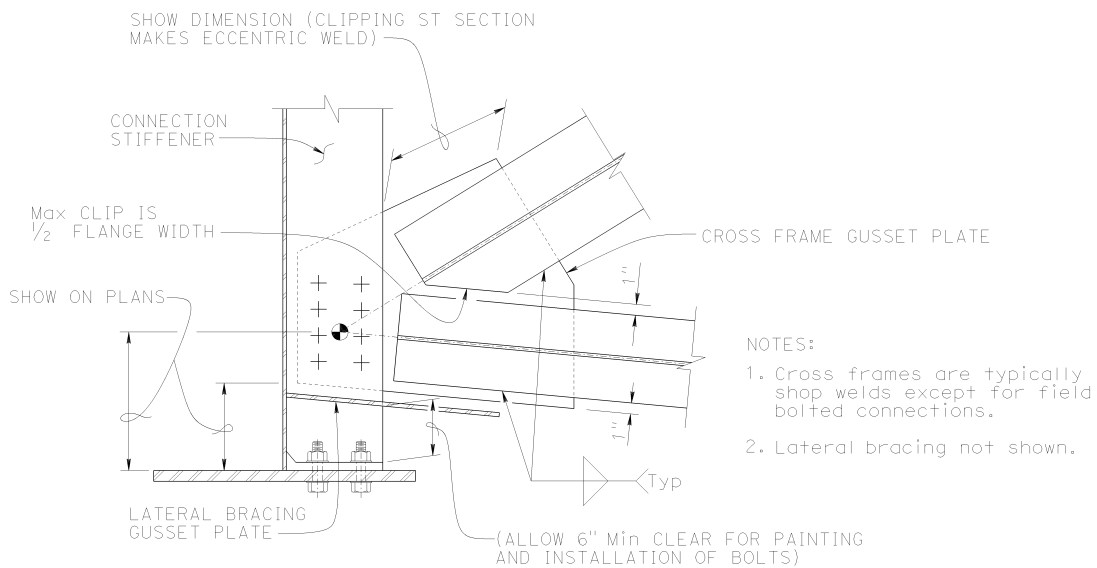


Bridge Design Details 11.5 June 2019

Cross Frames with Lateral Bracing



LATERAL BRACING CONNECTION DETAIL



SECTION A-A

Figure 11.5.1 Cross Frames with Lateral Bracing