



Figure 11A.A.1 Steel Girder Bridge Detailing Example 1

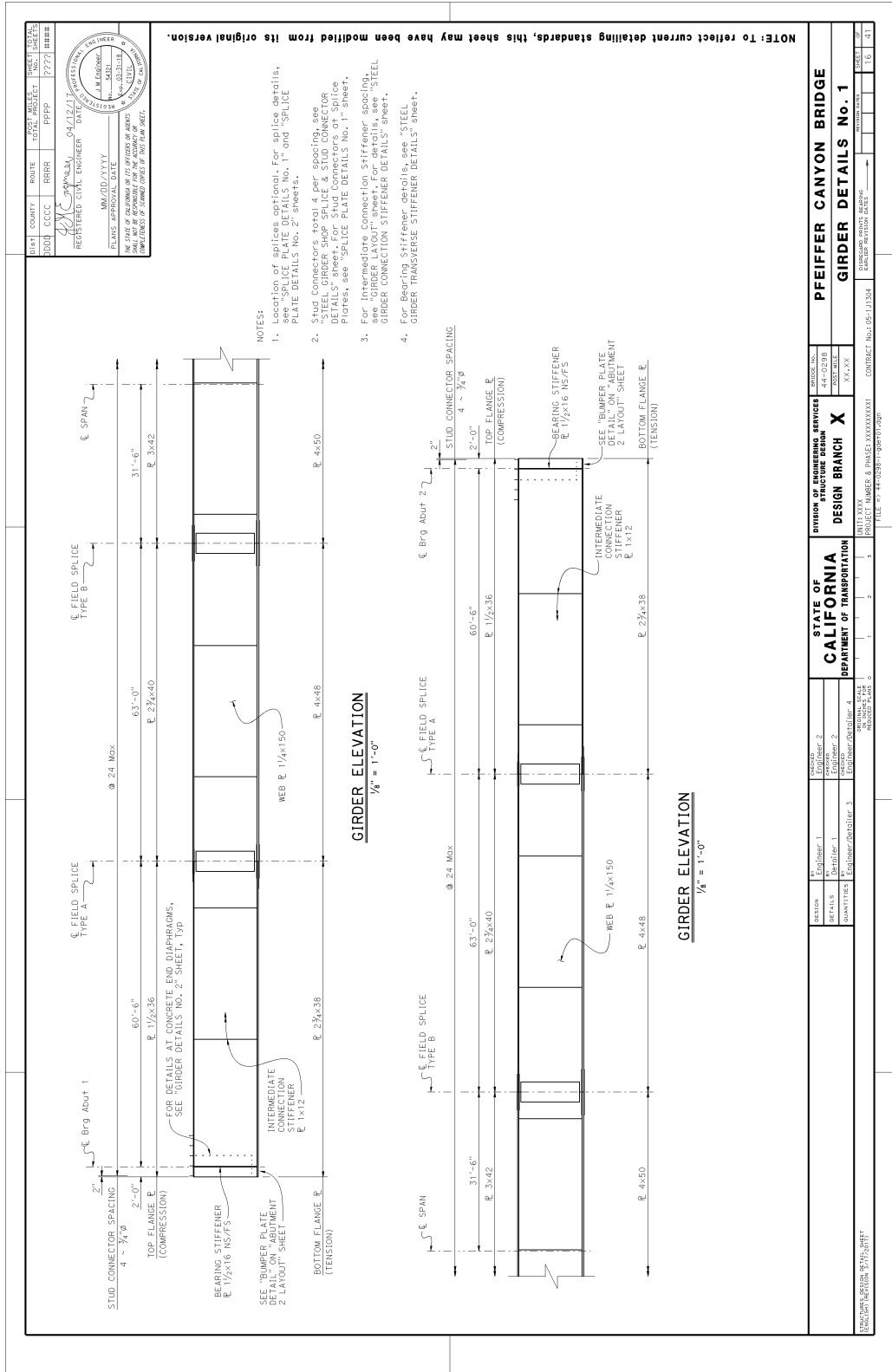




Figure 11A.A.3 Steel Girder Bridge Detailing Example 3

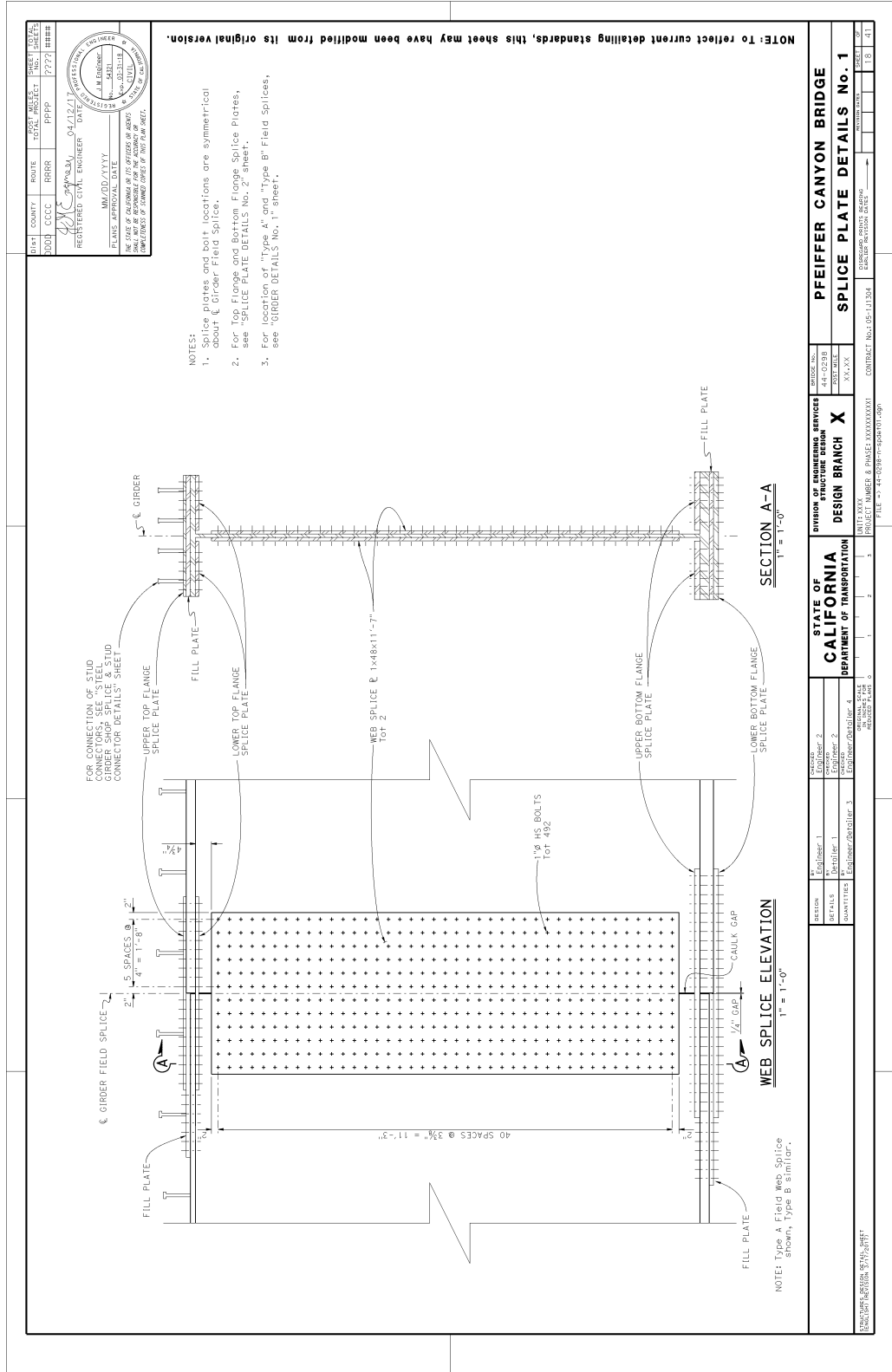




Figure 11A.A.4 Steel Girder Bridge Detailing Example 4

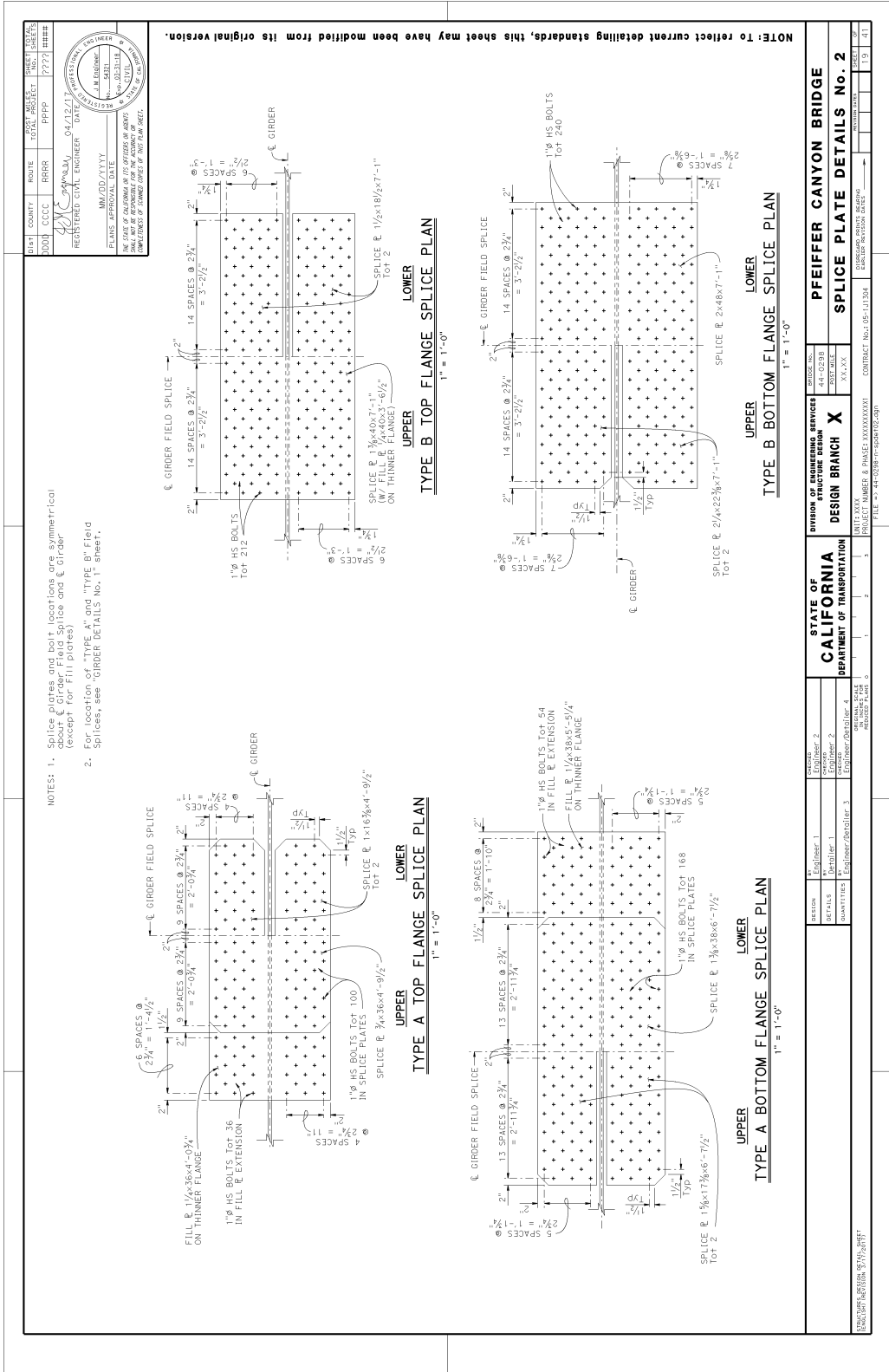




Figure 11A.A.6 Steel Girder Bridge Detailing Example 6

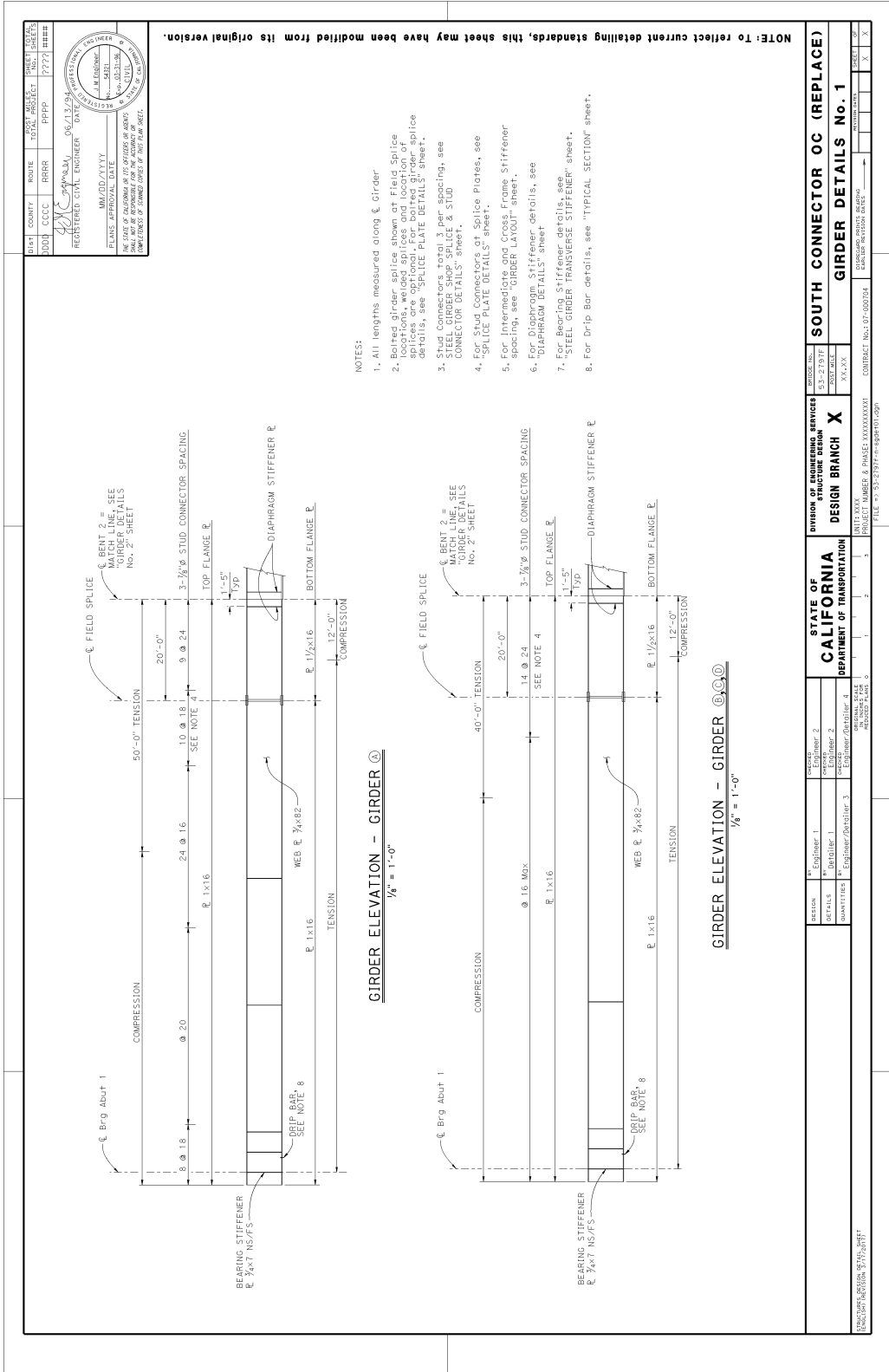




Figure 11A.A.7 Steel Girder Bridge Detailing Example 7

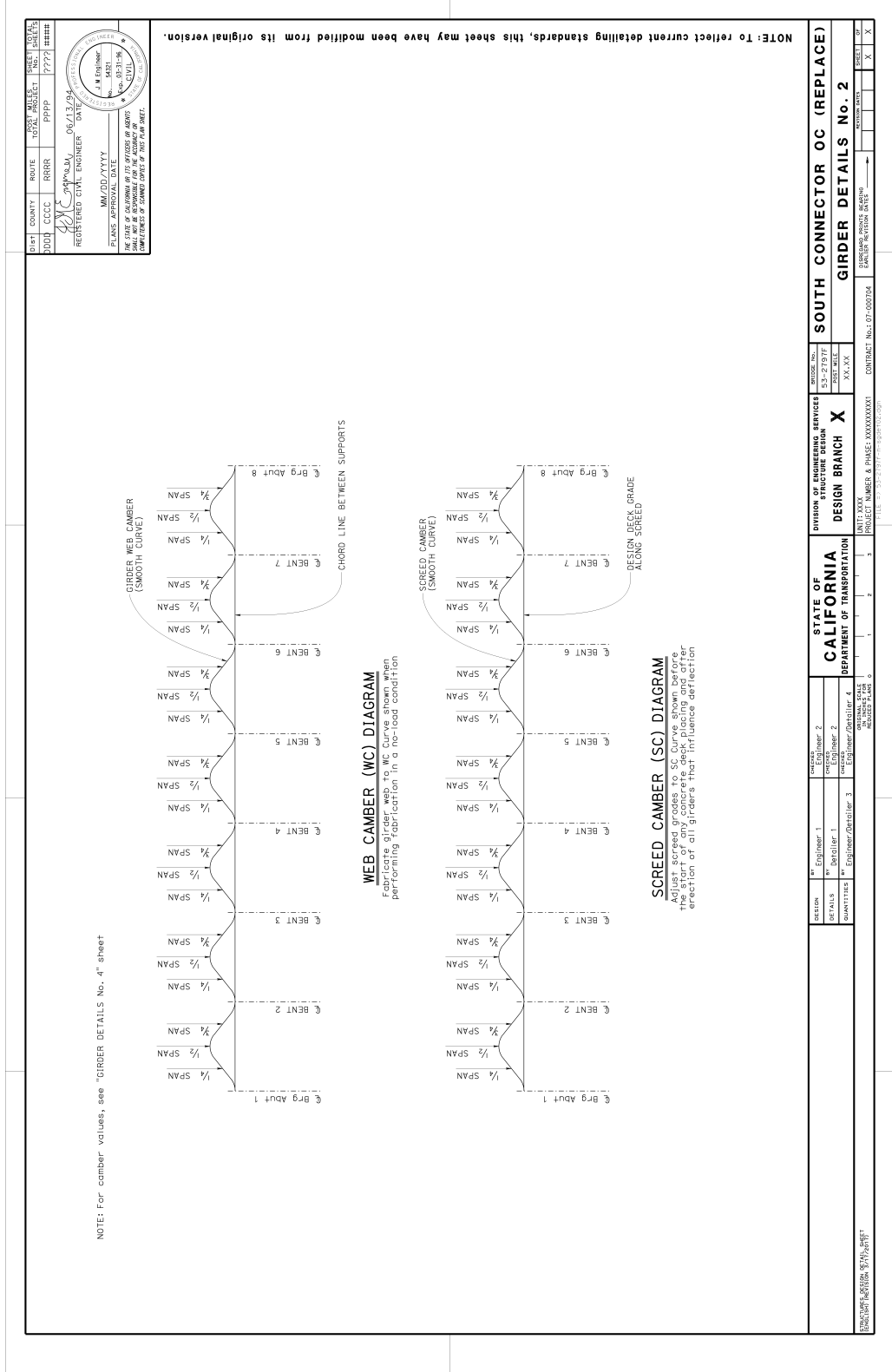




Figure 11A.A.8 Steel Girder Bridge Detailing Example 8

GIRDER	CAMBER COMPONENTS	SPAN 1		SPAN 2		SPAN 3		SPAN 4		SPAN 5		SPAN 6		SPAN 7									
		1/4	1/2	3/4	1	1/4	1/2	3/4	1	1/4	1/2	3/4	1	1/4	1/2	3/4							
A	1. Deck	0.07	0.09	0.05	0	-0.02	-0.05	0.31	0.48	0.26	0.06	0.20	0.11	0.14	0.24	0.20	0.20	0.37	0.20	0.08	0.22	0.20	
	2. Rail	0.01	0.01	0.01	0	0	0	0.04	0.05	0.03	0.01	0.03	0.02	0.02	0.03	0.02	0.04	0.02	0.04	0.02	0.01	0.02	0.02
	3. Deck Shrinkage	0.02	0.02	0.01	-0.01	-0.01	-0.01	0.01	0.01	0.01	-0.01	-0.01	-0.01	0	0.01	0.01	-0.01	-0.02	-0.02	0.02	0.02	0.04	0.04
	4. Girder	-0.02	0.03	0.02	-0.01	-0.01	-0.02	0.11	0.18	0.10	0.02	0.07	0.04	0.06	0.10	0.04	0.06	0.12	0.06	0.03	0.03	0.07	0.07
	5. VERTICAL CURVE	-0.04	-0.05	-0.04	0.04	0.03	0.03	0.48	0.64	0.48	-0.46	0.82	0.46	0.36	0.41	0.22	0	0	-0.09	-0.18	-0.15	0	0
B	1. Deck	0.10	0.12	0.07	-0.01	-0.03	-0.06	0.36	0.54	0.30	0.06	0.22	0.12	0.16	0.28	0.23	0.21	0.39	0.20	0.11	0.28	0.26	
	2. Rail	0.08	0.10	0.05	0.03	-0.01	-0.03	0.28	0.54	0.28	0.06	0.22	0.12	0.16	0.28	0.23	0.21	0.39	0.20	0.11	0.28	0.26	
	3. Deck Shrinkage	0.06	0.08	0.05	0.01	0	-0.03	0.27	0.42	0.23	0.07	0.20	0.11	0.12	0.22	0.10	0.18	0.34	0.18	0.08	0.20	0.18	
	4. Girder	0.02	0.02	0.01	-0.01	-0.01	-0.01	0.01	0.01	0.01	-0.01	-0.01	-0.01	0.01	0.01	0.01	-0.01	-0.02	-0.02	0.02	0.02	0.04	0.04
	5. VERTICAL CURVE	-0.06	-0.07	-0.05	-0.01	-0.02	0.01	0.48	0.64	0.48	0.46	0.82	0.46	0.36	0.41	0.22	0	0	-0.09	-0.18	-0.15	0	0
C	1. Deck	0.04	0.06	0.02	-0.01	-0.03	-0.04	0.39	0.47	0.26	0.07	0.21	0.11	0.14	0.26	0.12	0.19	0.35	0.18	0.11	0.26	0.24	
	2. Rail	0.04	0.06	0.02	-0.01	-0.03	-0.04	0.39	0.47	0.26	0.07	0.21	0.11	0.14	0.26	0.12	0.19	0.35	0.18	0.11	0.26	0.24	
	3. Deck Shrinkage	0.01	0.01	0	0	0	0.02	0.04	0.02	0.01	0.02	0.01	0.01	0.01	0.02	0.01	0.02	0.03	0.02	0.01	0.02	0.01	
	4. Girder	0.02	0.02	0.01	-0.01	-0.01	-0.01	0.01	0.01	0.01	0	0	0	0	0	0	-0.01	-0.01	-0.01	0.02	0.04	0.04	
	5. VERTICAL CURVE	-0.07	-0.10	-0.07	-0.06	-0.08	-0.02	0.48	0.64	0.48	0.46	0.82	0.46	0.36	0.41	0.22	0	0	-0.10	-0.19	-0.18	0	0
D	1. Deck	0.01	0.03	-0.01	-0.05	-0.08	-0.05	0.82	1.18	0.77	0.58	0.90	0.62	0.52	0.71	0.36	0.23	0.41	0.22	0.02	0.11	0.08	
	2. Rail	0.05	0.07	0.04	0.03	0.04	0	0.19	0.31	0.17	0.09	0.19	0.10	0.10	0.19	0.09	0.15	0.26	0.15	0.07	0.17	0.15	
	3. Deck Shrinkage	0.02	0.02	0.01	-0.01	-0.01	-0.01	0.01	0.01	0.01	0	0	0	0	0	0	-0.01	-0.01	-0.01	0.02	0.01	0.02	
	4. Girder	-0.01	0.02	0.01	0.01	0.01	0	0.06	0.09	0.05	0.03	0.06	0.04	0.03	0.06	0.03	0.04	0.08	0.04	0.02	0.04	0.04	
	5. VERTICAL CURVE	-0.09	-0.12	-0.09	-0.12	-0.14	-0.05	0.48	0.64	0.48	0.46	0.82	0.46	0.36	0.41	0.22	0	0	-0.11	-0.21	-0.19	0	
W _G = 1 thought 5		-0.07	0.10	0.05	0.02	0.03	-0.01	0.22	0.35	0.20	0.10	0.11	0.21	0.10	0.15	0.27	0.15	0.10	0.23	0.20	0.20	0.20	
W _G = 1 thought 5		-0.01	0	-0.03	-0.09	-0.10	-0.06	0.76	1.08	0.73	0.59	0.89	0.61	0.50	0.68	0.35	0.19	0.35	0.19	0.01	0.06	0.05	

NOTES: Camber values are in feet and are measured upwards from reference line.
 1. Deck, grades will be determined by Engineer.
 2. Rail, grades will be determined by Engineer.
 3. Deck Shrinkage, W_G = Web camber.

NOTE: To reflect current detailing standards, this sheet may have been modified from its original version.

DATE	COUNTY	ROUTE	POST MILES	SHEET NO. OF SHEETS
0000	CCCC	RRRR	PPPP	7777
REGISTERED CIVIL ENGINEER DATE: 06/13/99 NAME: J. A. FINN CITY: SACRAMENTO STATE: CALIFORNIA LICENSE NO.: 50000				
DIVISION OF ENGINEERING SERVICES DESIGN BRANCH X SOUTH CONNECTOR OC (REPLACE) GIRDER DETAILS No. 3				
CONTRACT NO.: 07-000704 SHEET NO. 3 OF 3				



Figure 11A.A.9 Steel Girder Bridge Detailing Example 9

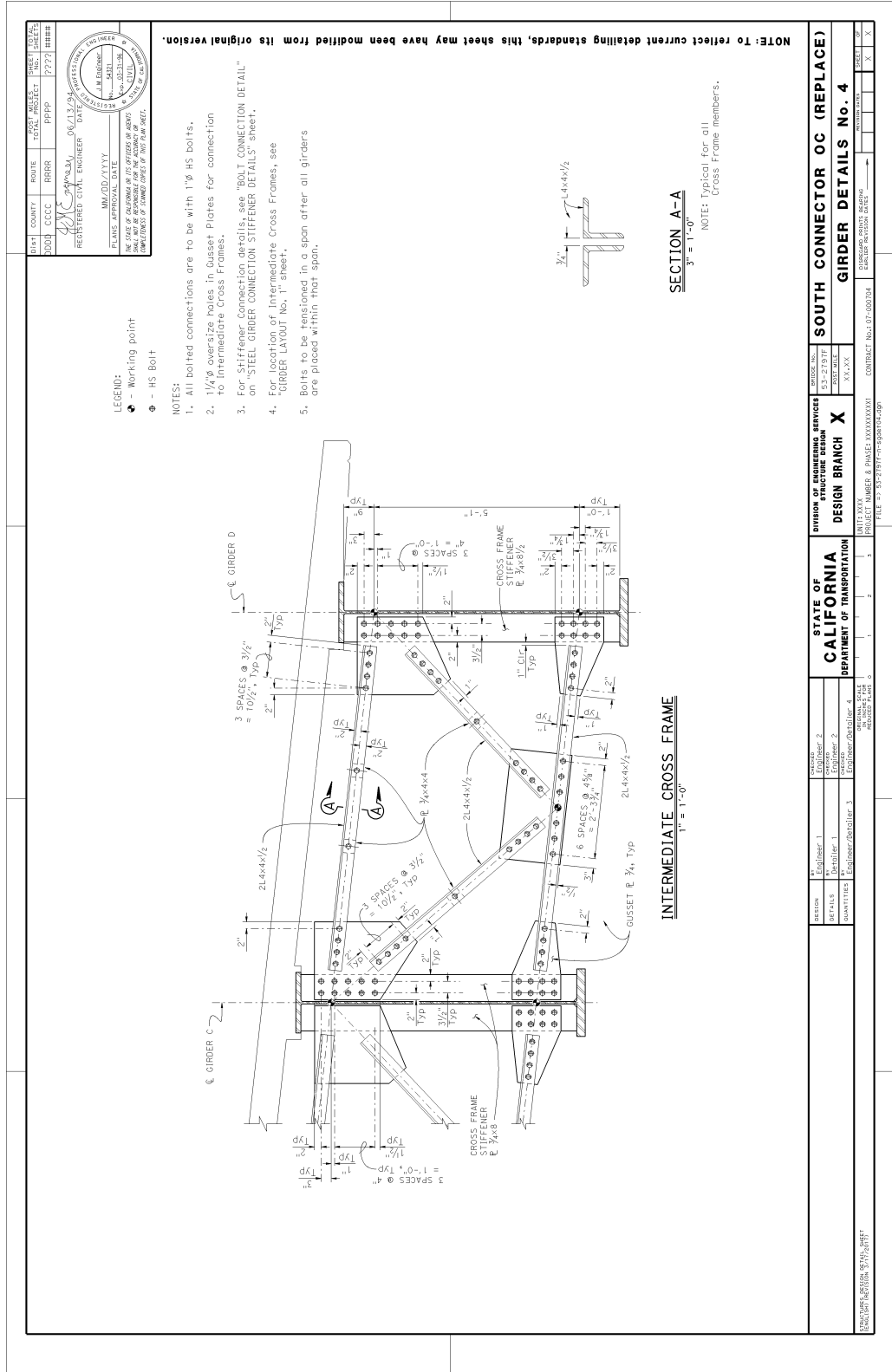




Figure 11A.A.13 Steel Girder Bridge Detailing Example 13

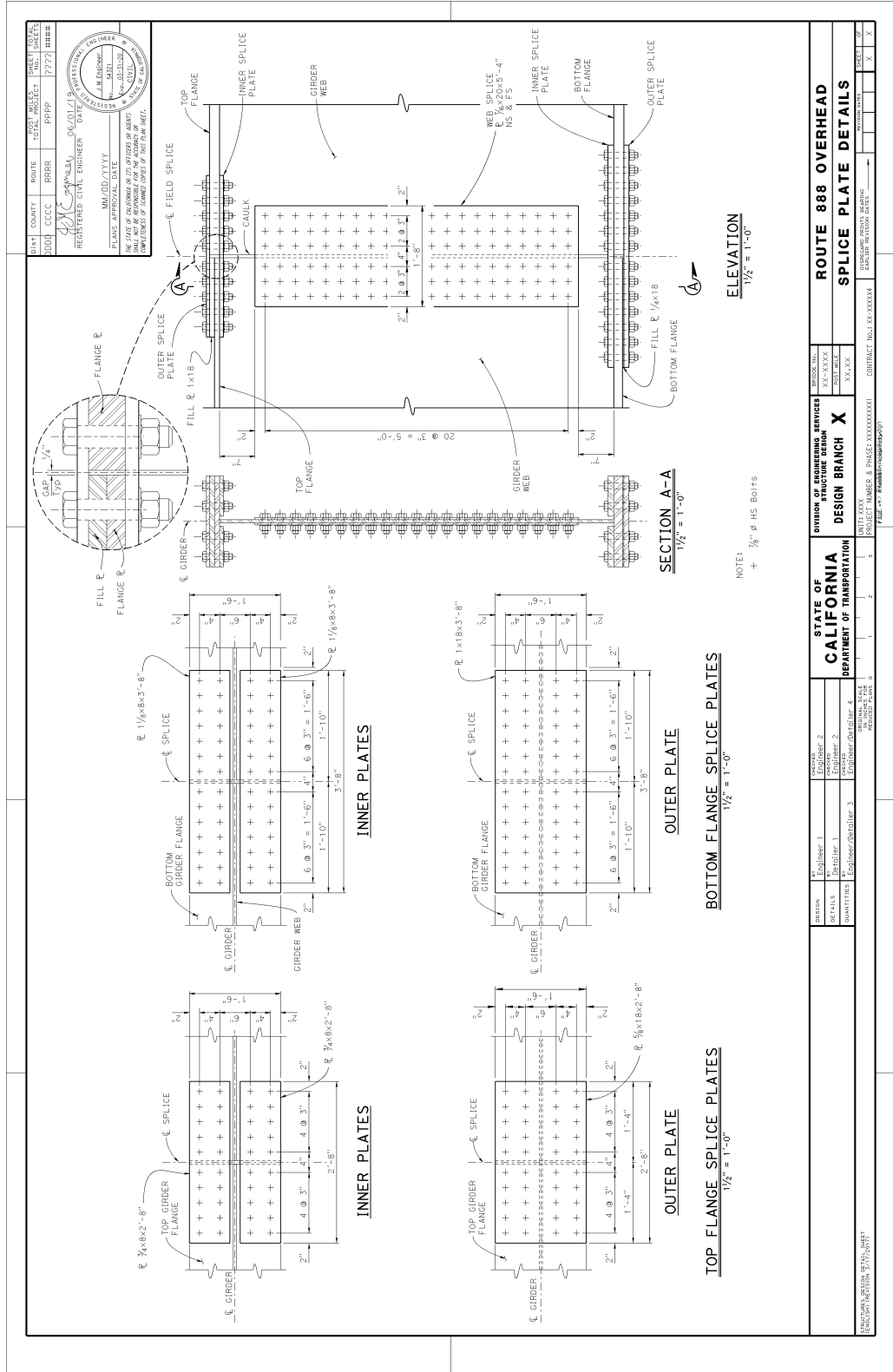




Figure 11A.A.14 Steel Girder Bridge Detailing Example 14

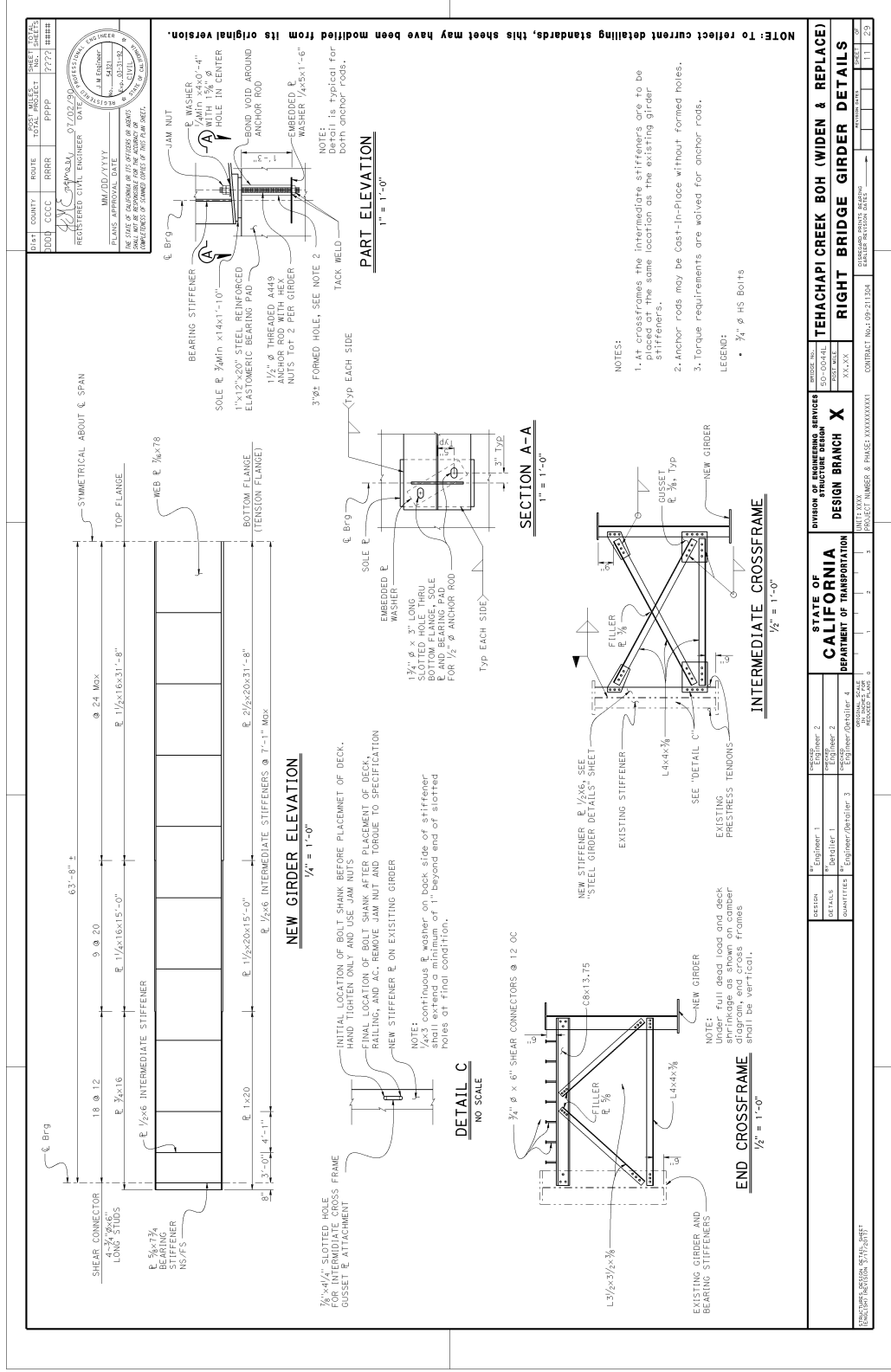




Figure 11A.A.15 Steel Girder Bridge Detailing Example 15

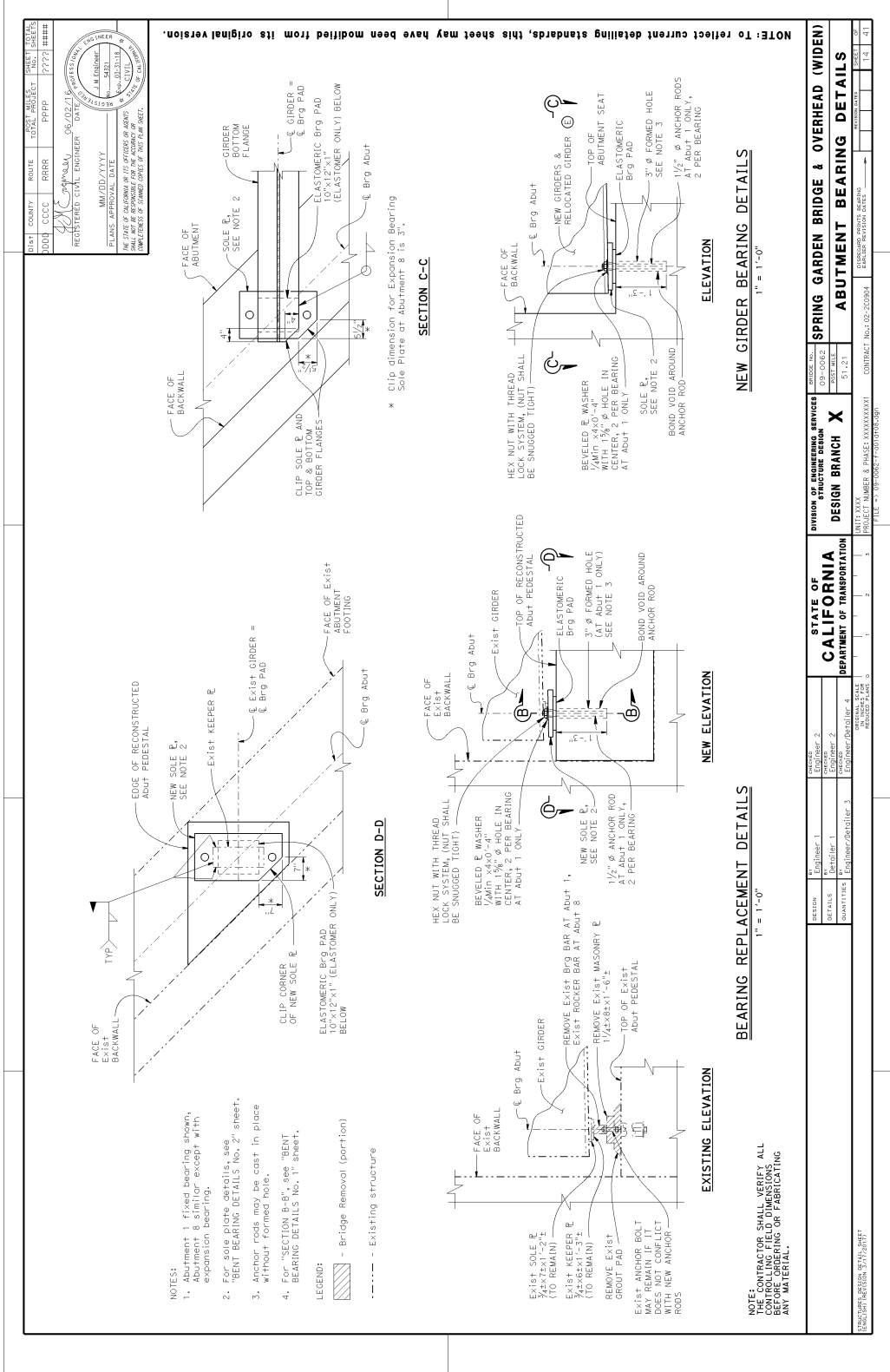




Figure 11A.A.17 Steel Girder Bridge Detailing Example 17

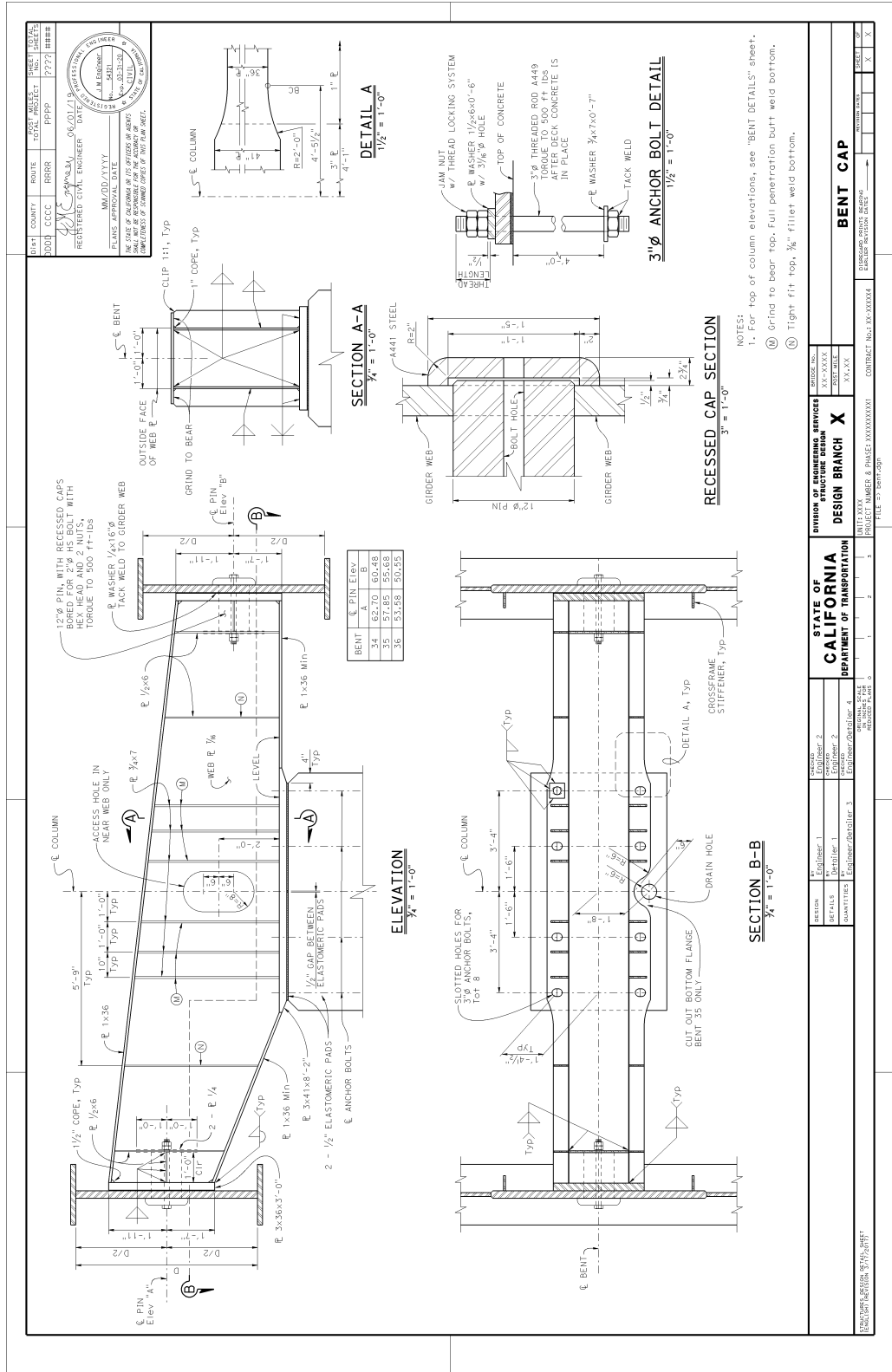




Figure 11A.A.18 Steel Girder Bridge Detailing Example 18

